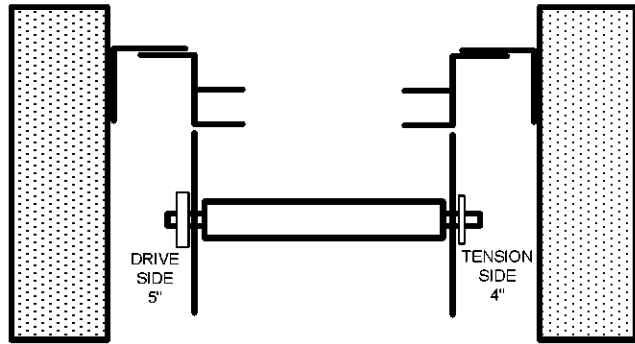
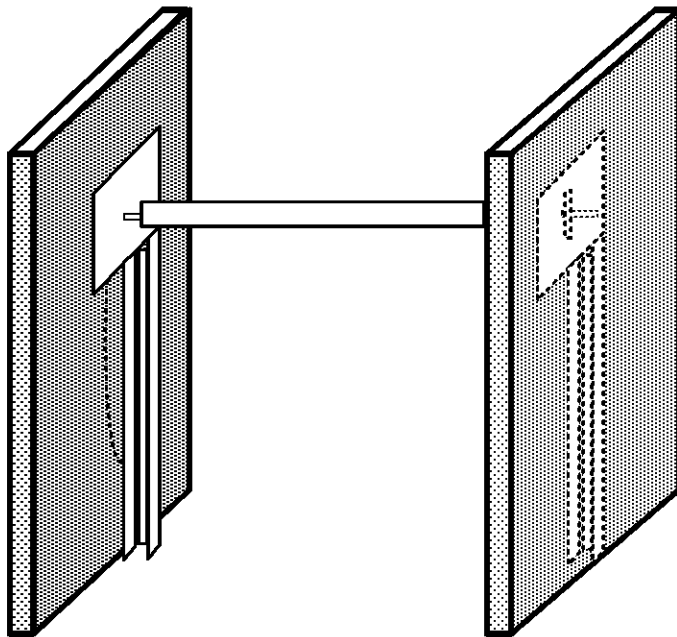


BETWEEN JAMB  
PACK-UP GUIDE

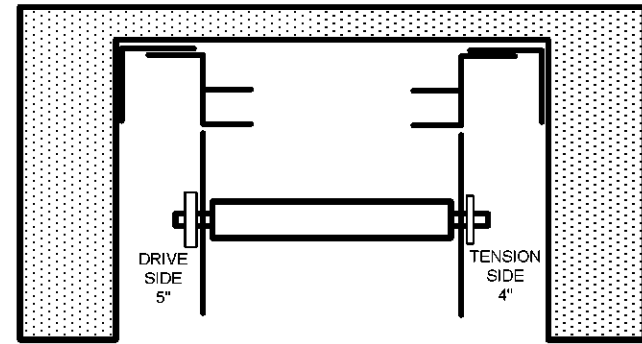


TORSION SPRING

WITHOUT LINTEL

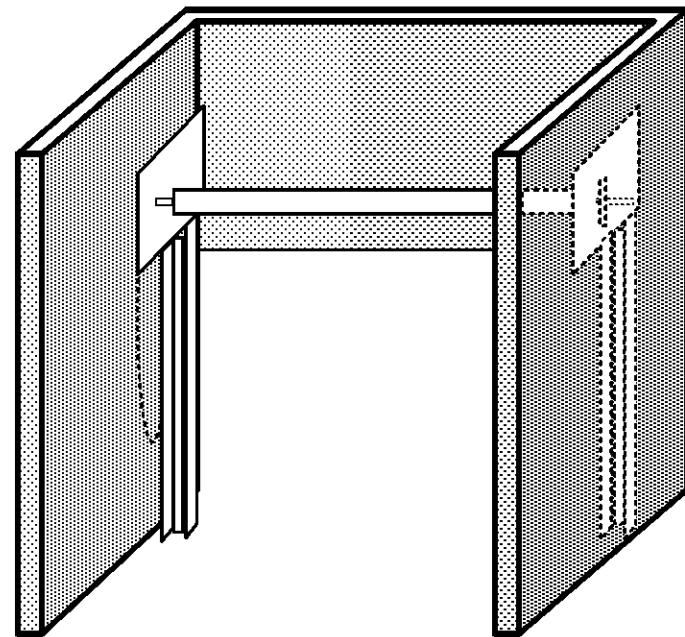


BETWEEN JAMB  
PACK-UP GUIDE

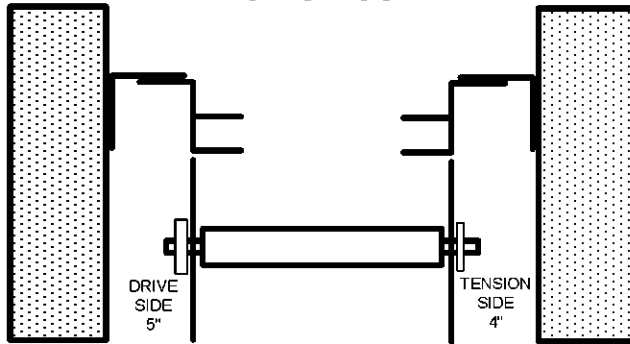


TORSION SPRING

FACE OF LINTEL

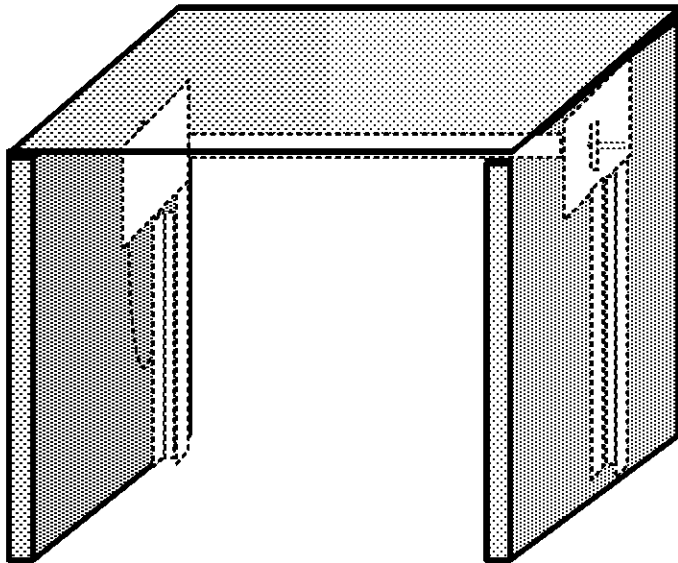


BETWEEN JAMB  
PACK-UP GUIDE

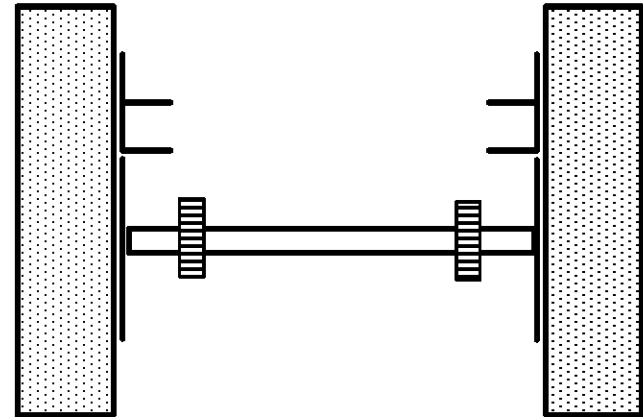


TORSION SPRING

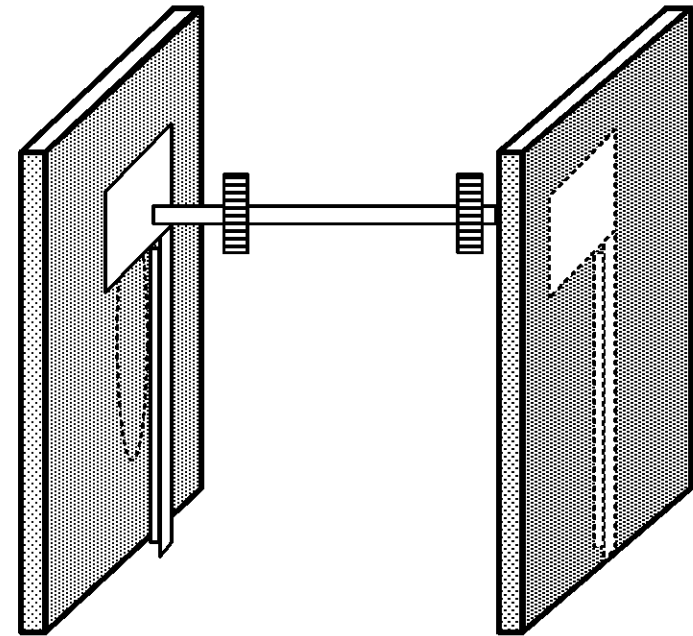
OVERALL HEIGHT



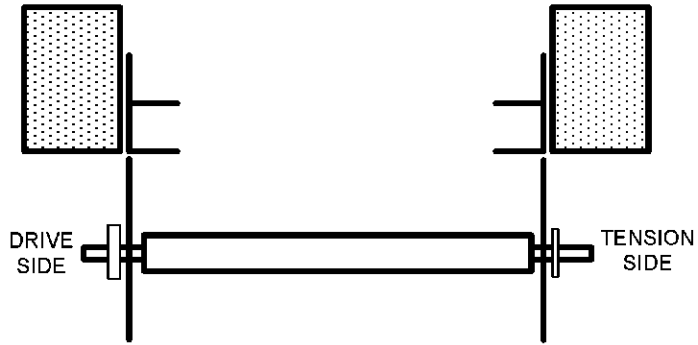
BETWEEN JAMB  
"F" GUIDE  
NO PACK-UP NEEDED



BAND SPRING PIPE

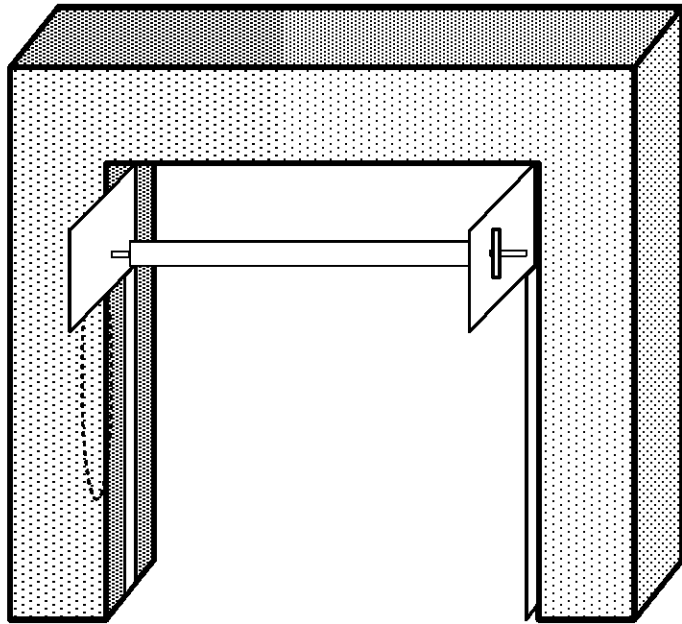


BETWEEN JAMB  
"F" GUIDE  
NO PACK-UP NEEDED

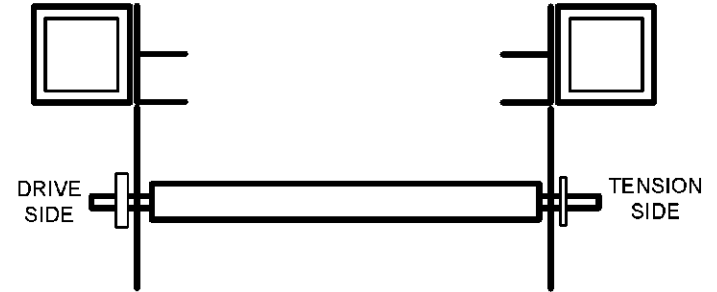


TORSION SPRING

UNDER LINTEL



BETWEEN JAMB  
"F" GUIDE  
NO PACK-UP NEEDED



MOUNTING BETWEEN  
STEEL TUBE

