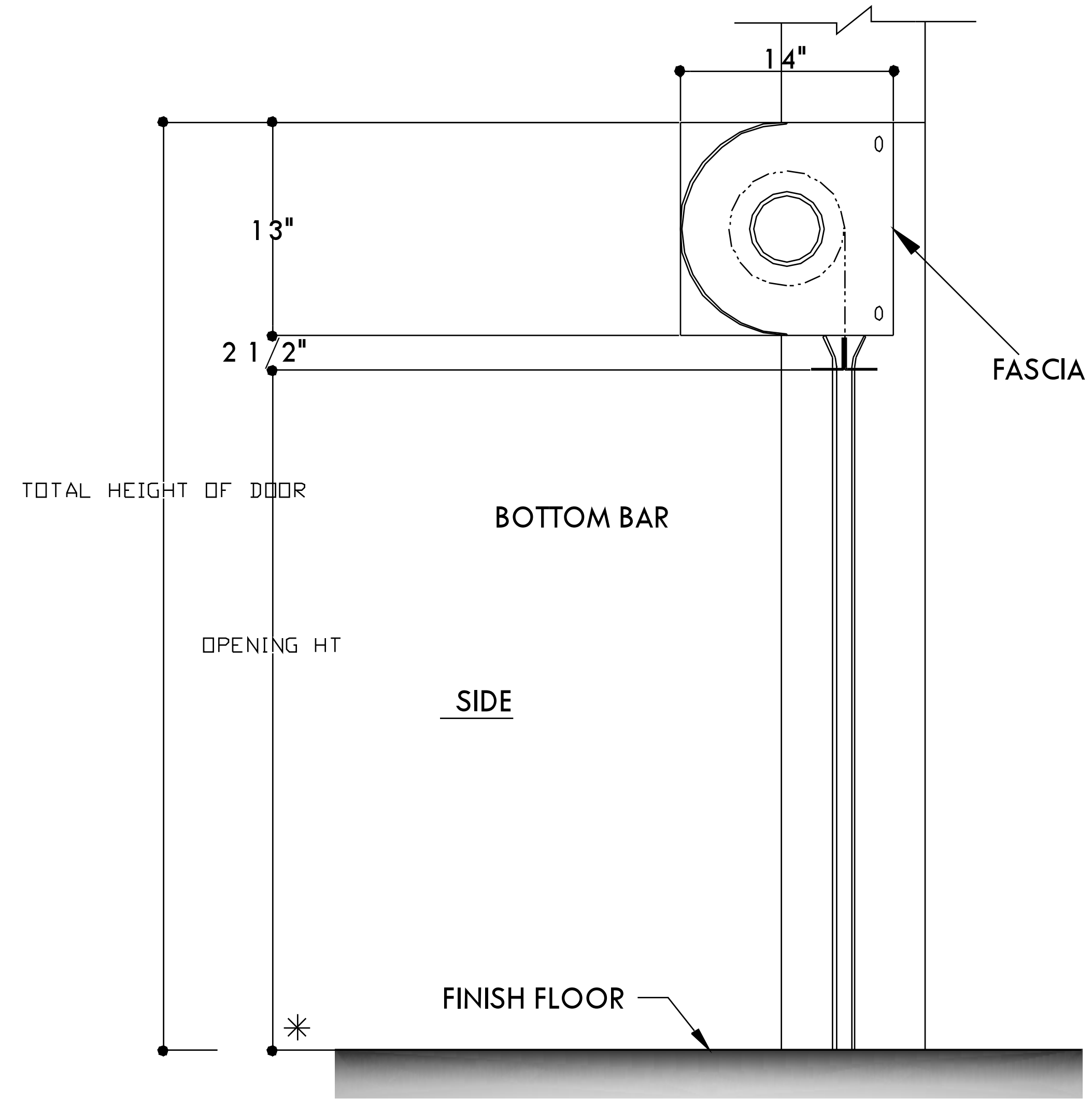
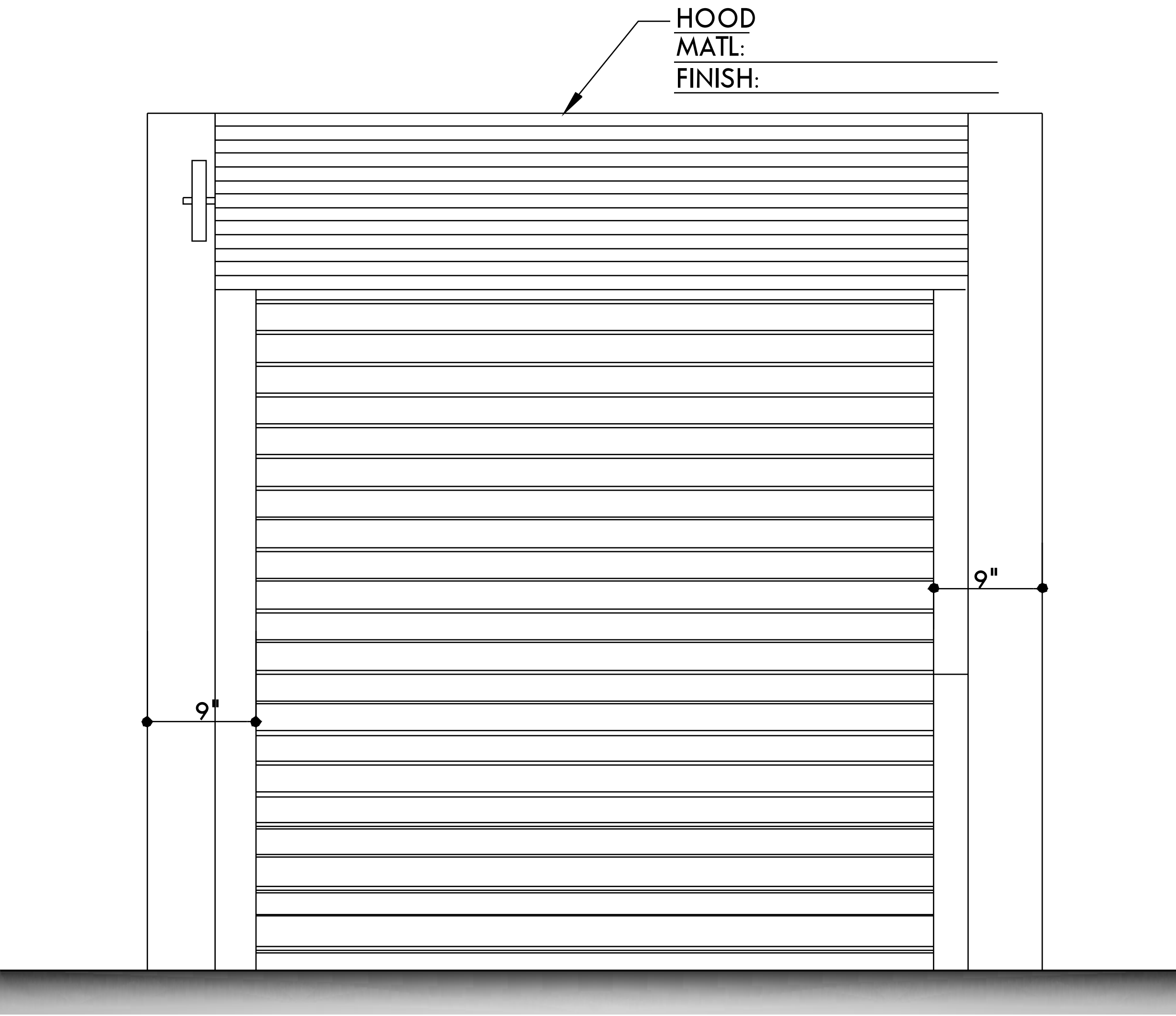


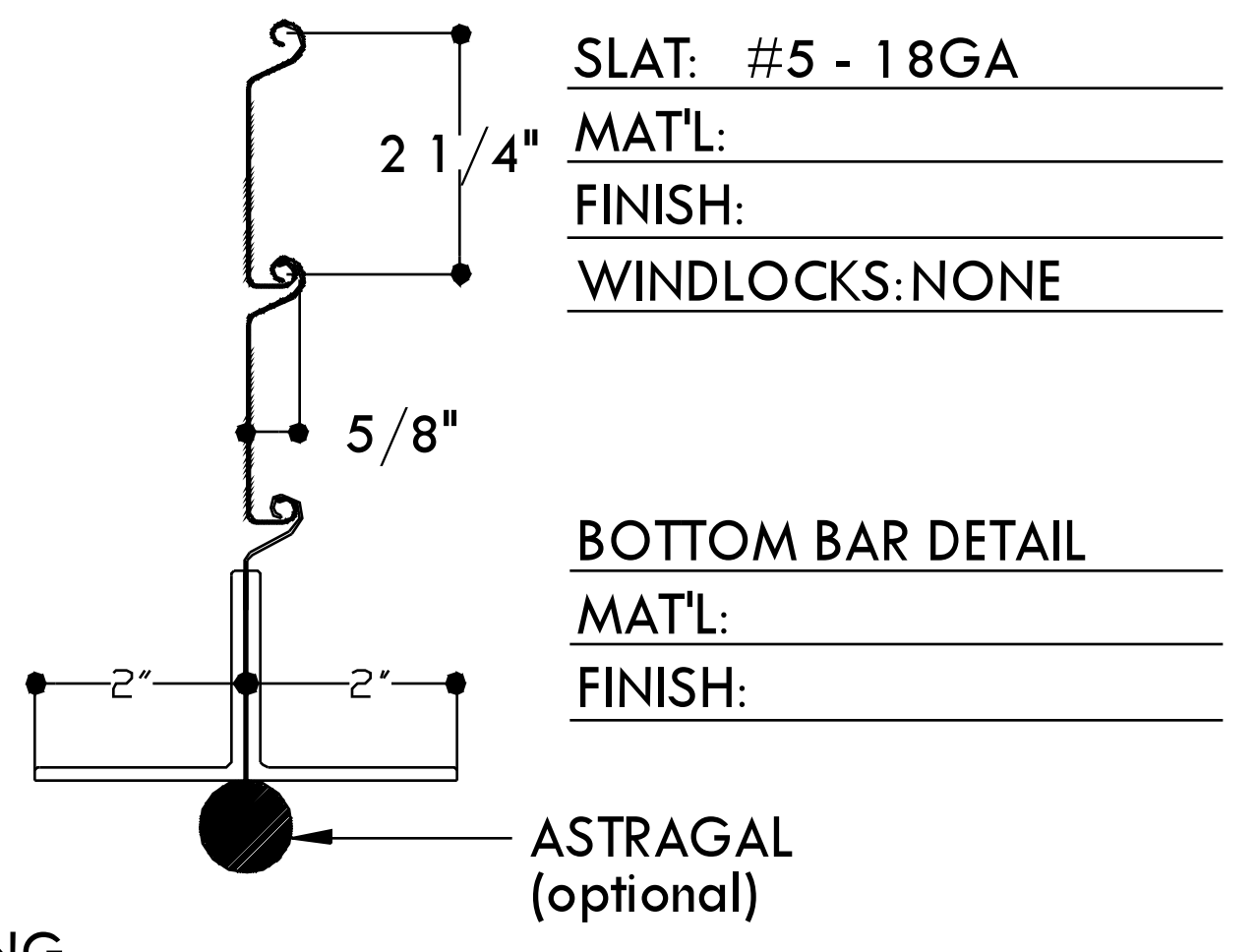
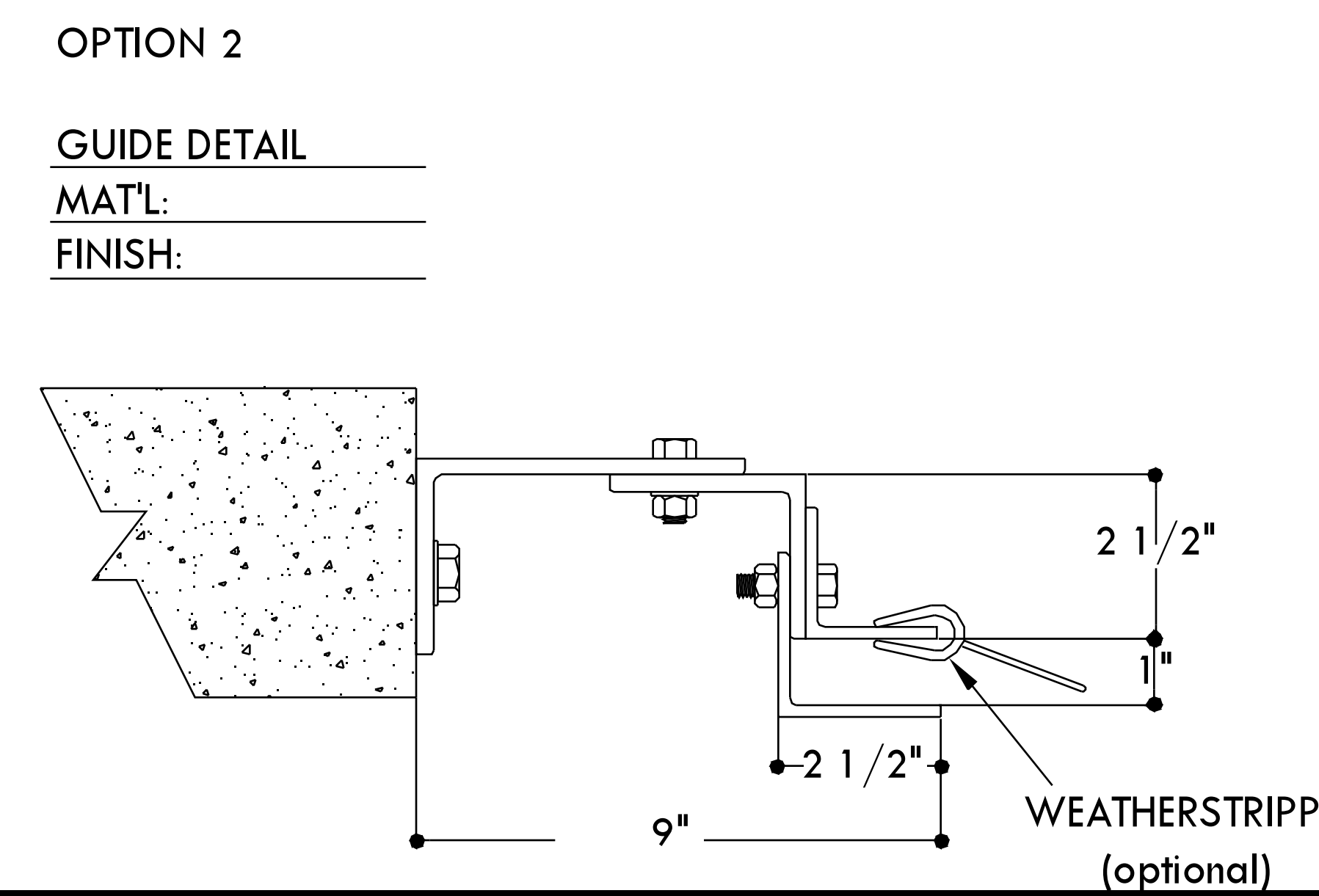
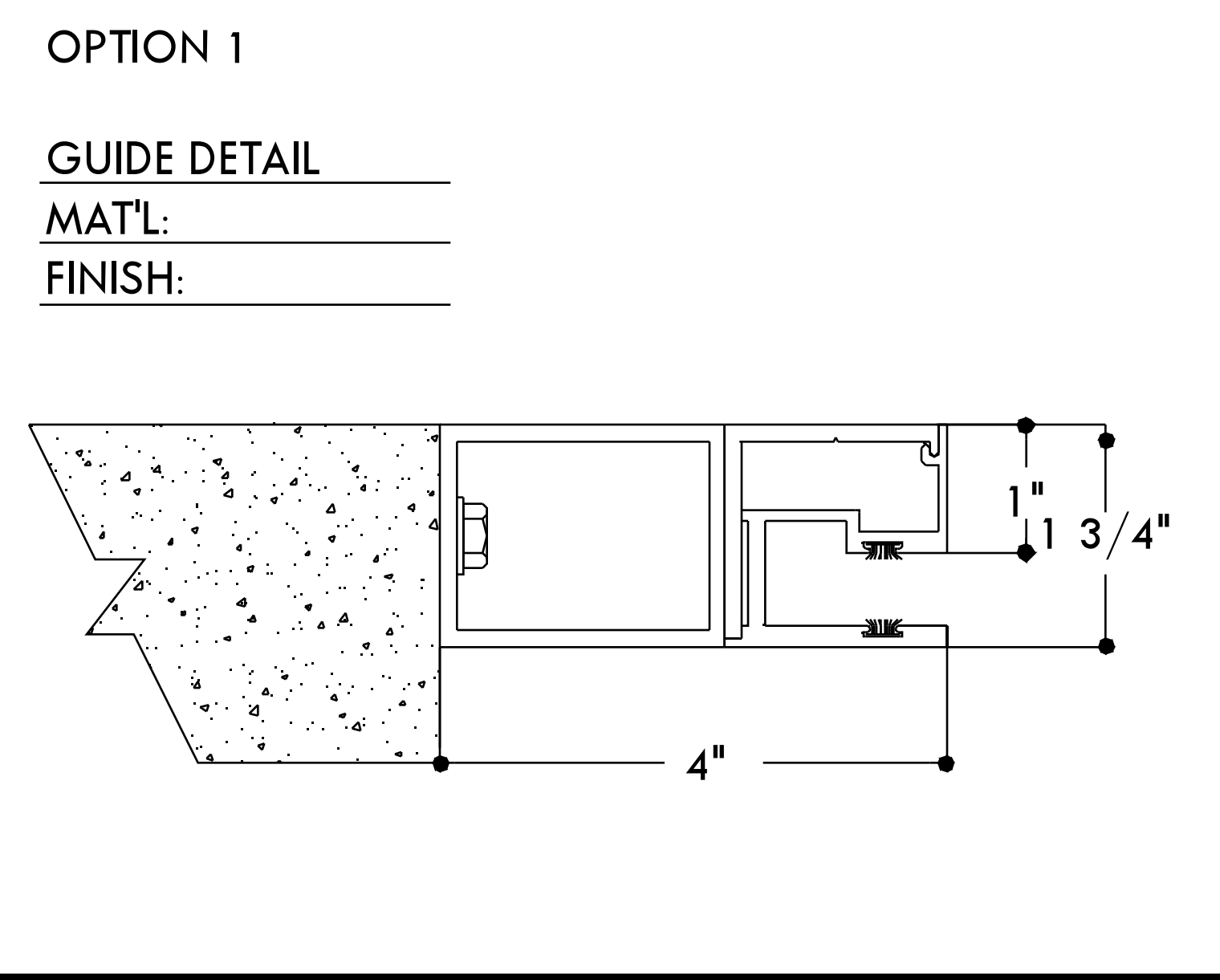
* VERIFY WALL CONSTRUCTION



JOB: _____
 CONTRACTOR: _____
 ARCHITECT: _____
 DISTRIBUTOR: _____
 DRAWING NO. _____ # OF _____

VERIFIED BY: _____ ON _____

MAKE	HAND	ARCH. MARK	BEST DOOR
MAKE1			
MAKE2			
MAKE3			
MAKE4			
OPMK1			
OPMK2			
OPMK3			
OPMK4			
3			
2			
1			
NO.			



NOTES:

- THIS DRAWING COVERS GENERAL CONDITIONS, DIMS, AND SPECIFICATIONS ONLY. DO NOT USE FOR INSTALLATION PURPOSES, INSTALLATION INSTRUCTIONS AND DIMENSIONS ARE INCLUDED WITH SHIPMENT.
- CONSULT FACTORY FOR WIND LOAD CALCULATION

DIMENSIONS AND CLEARANCES AS NOTED BY ASTERISK (*) MUST BE FIELD CHECKED.

SERVICE DOOR

PUSH UP

BETWEEN JAMB