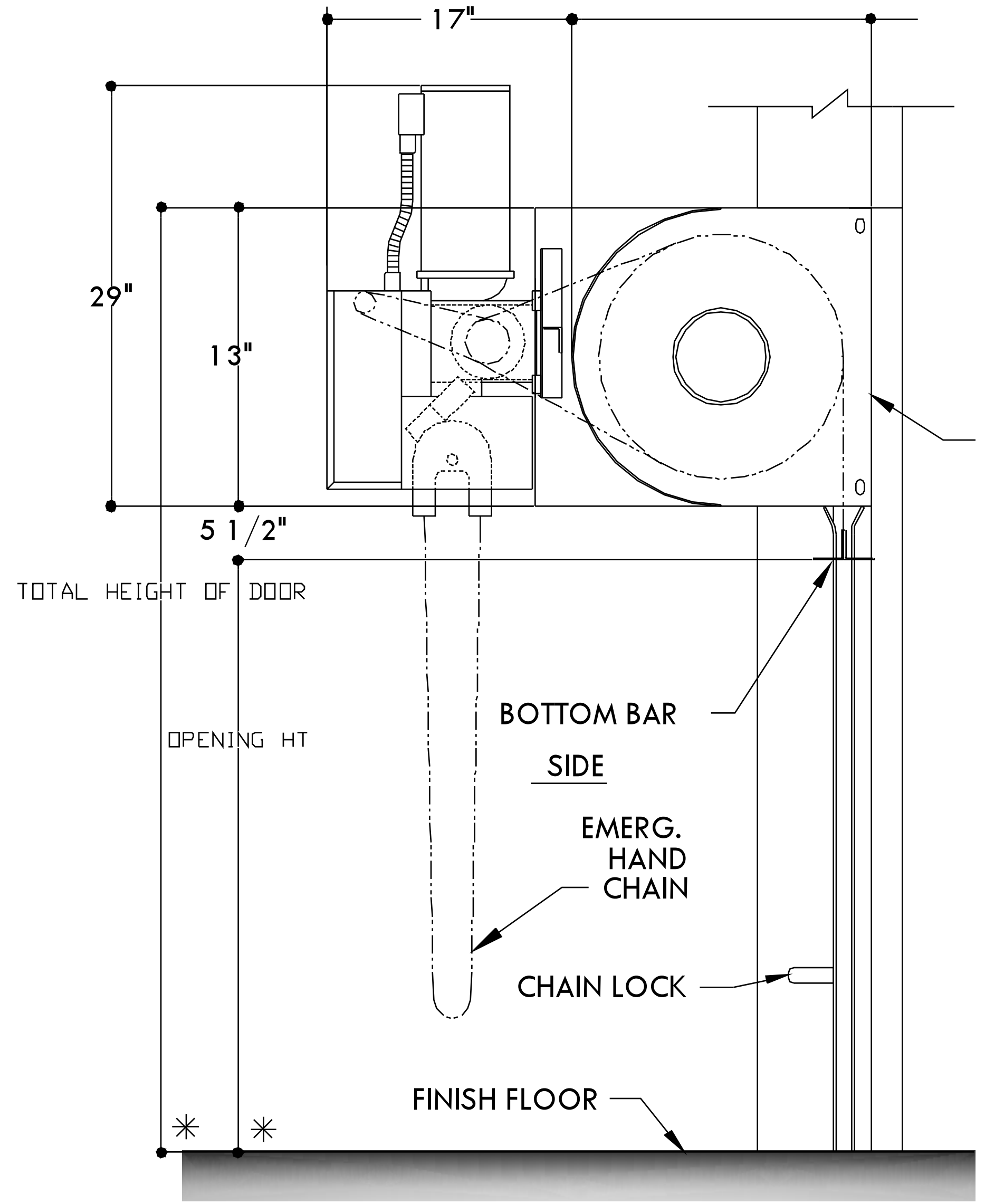
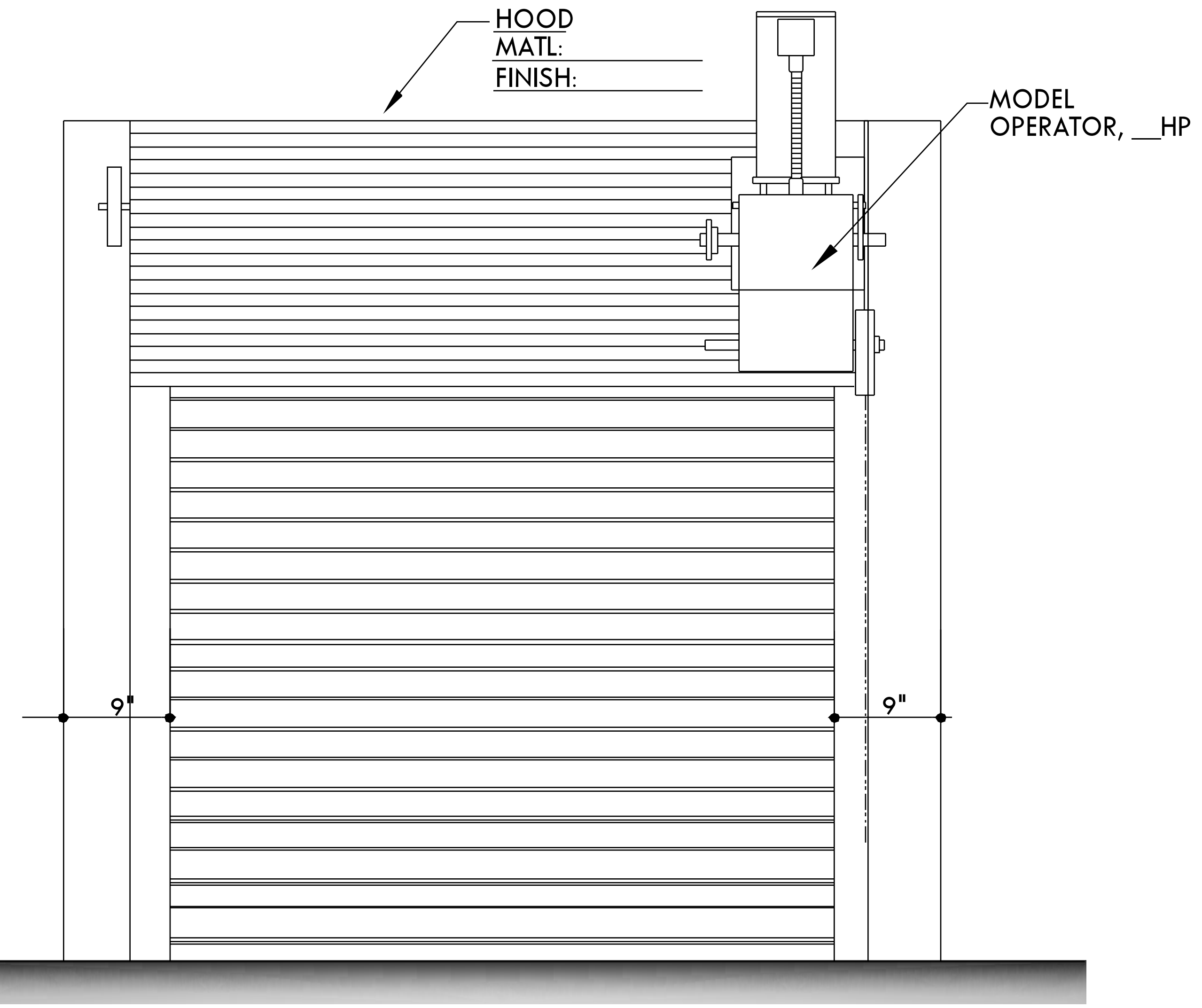


* VERIFY WALL CONSTRUCTION



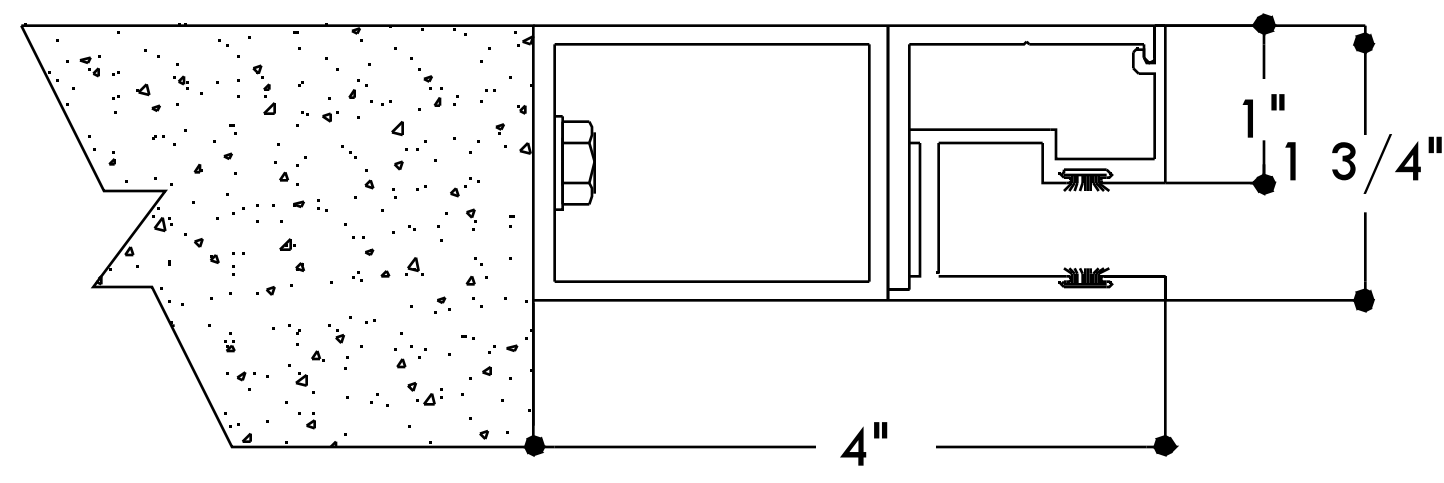
JOB: _____
 CONTRACTOR: _____
 ARCHITECT: _____
 DISTRIBUTOR: _____
 DRAWING NO. _____ # OF _____



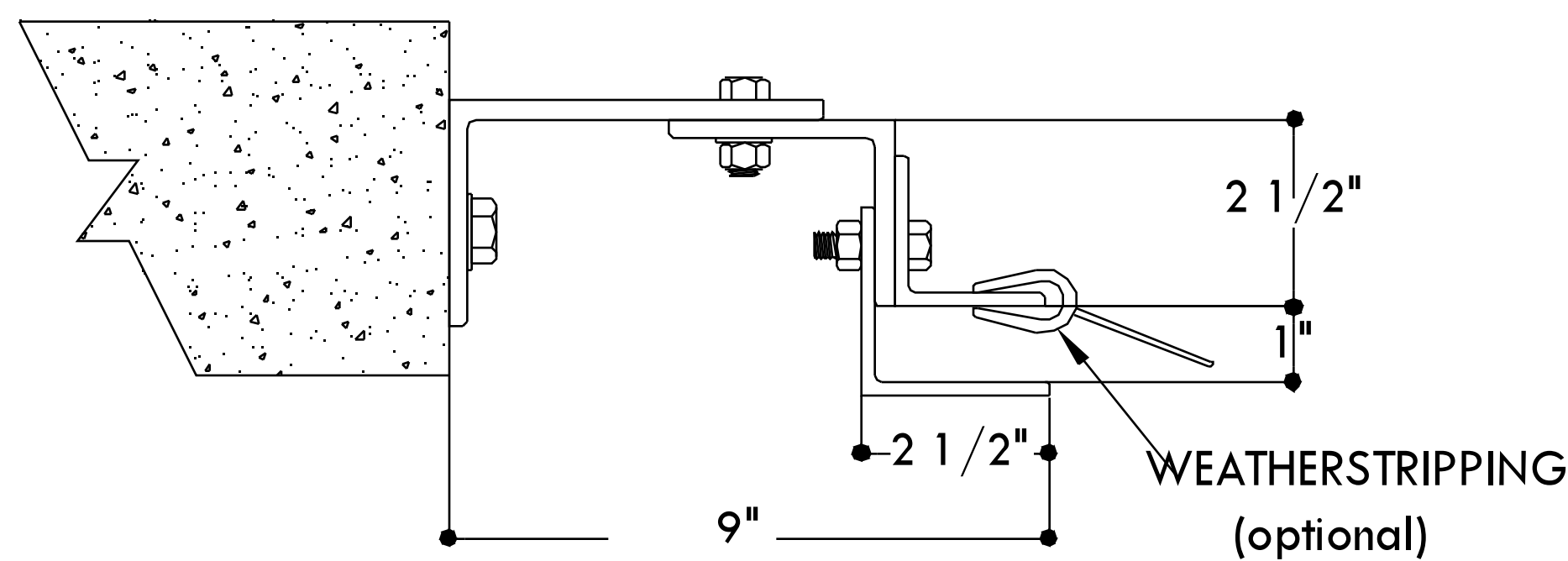
VERIFIED BY: _____ ON _____

MAKE	HAND	ARCH. MARK	BEST DOOR
MAKE1 MAKE2			
OPMK1 OPMK2			
3			
2			
1			
NO.			

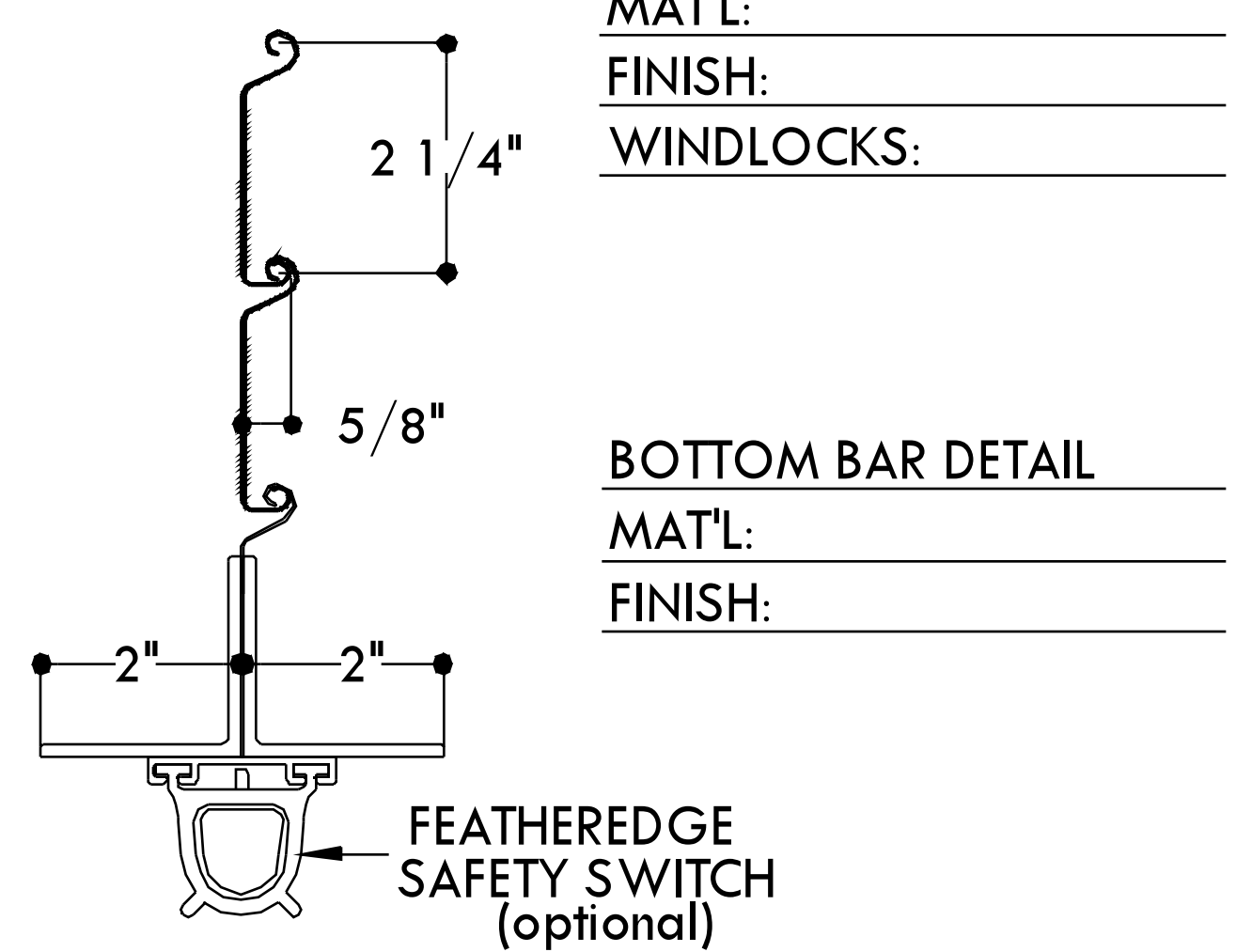
OPTION 1
 GUIDE DETAIL
 MAT'L:
 FINISH:



OPTION 2
 GUIDE DETAIL
 MAT'L:
 FINISH:



SLAT:
 MAT'L:
 FINISH:
 WINDLOCKS:



NOTES:
 1. THIS DRAWING COVERS GENERAL CONDITIONS, DIMS, AND SPECIFICATIONS ONLY. DO NOT USE FOR INSTALLATION PURPOSES, INSTALLATION INSTRUCTIONS AND DIMENSIONS ARE INCLUDED WITH SHIPMENT.
 2. CONSULT FACTORY FOR WIND LOAD CALCULATION

DIMENSIONS AND CLEARANCES AS NOTED BY ASTERISK (*) MUST BE FIELD CHECKED.

SERVICE DOOR

HORIZ. MOUNTED MOTOR OPERATED

BETWEEN JAMB