

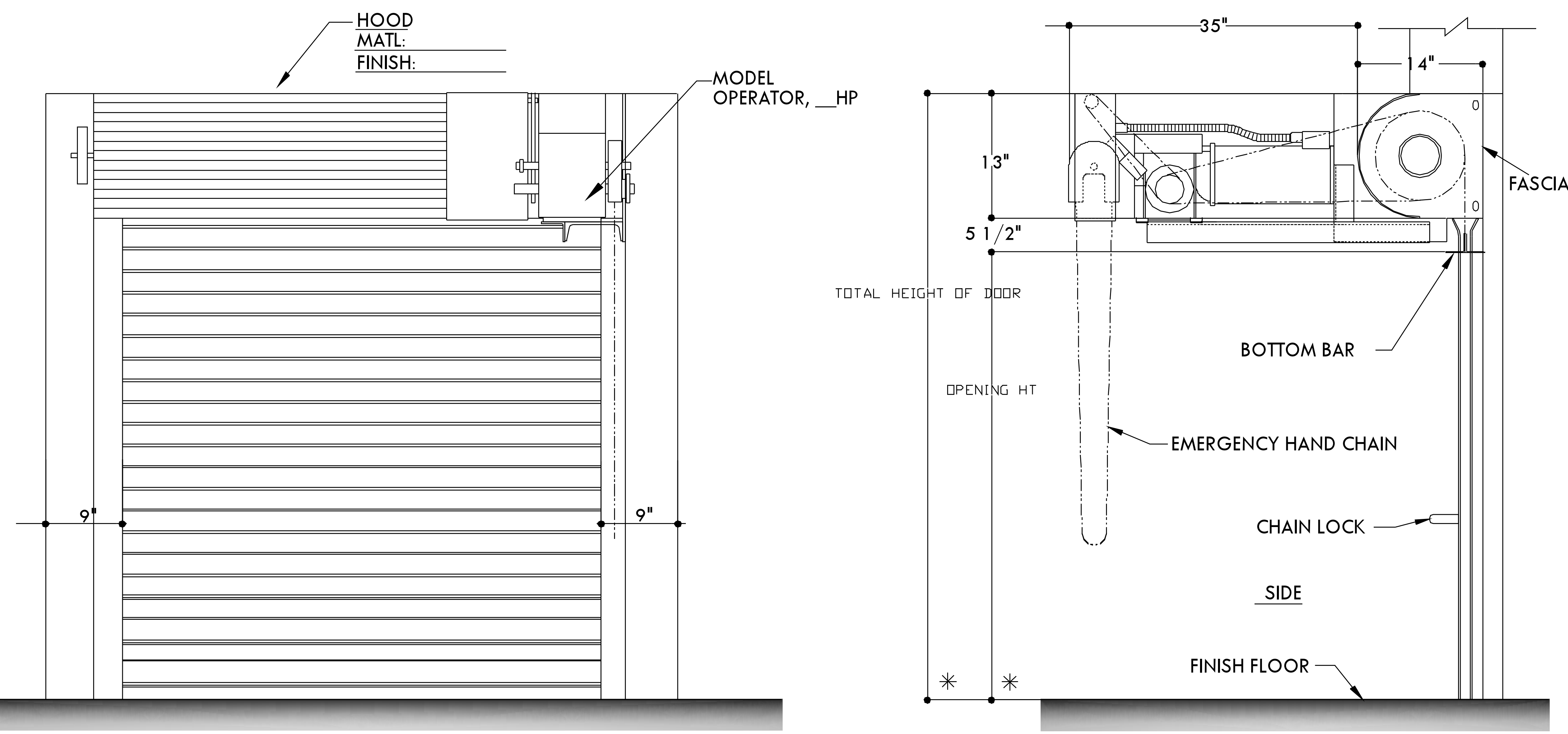
JOB: \_\_\_\_\_

CONTRACTOR: \_\_\_\_\_

ARCHITECT: \_\_\_\_\_

DISTRIBUTOR: \_\_\_\_\_

DRAWING NO. \_\_\_\_\_ # OF \_\_\_\_\_



VERIFIED BY: \_\_\_\_\_ ON \_\_\_\_\_

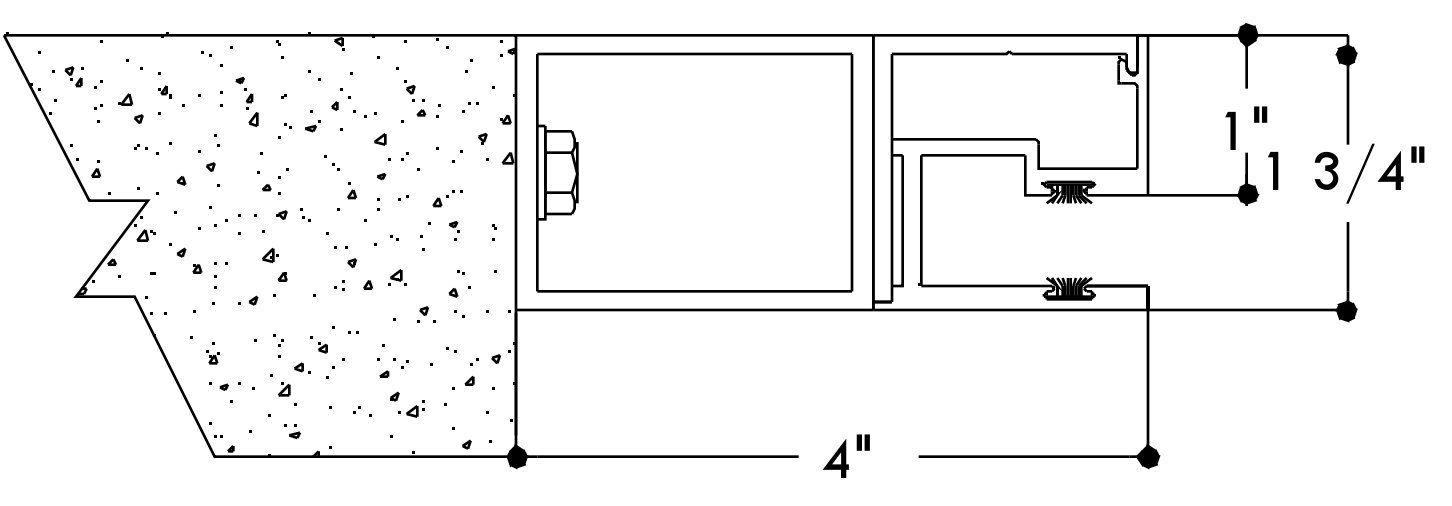
MAKE	HAND	ARCH. MARK	BEST DOOR
MAKE1 MAKE2	AS SHOWN		
OPMK1 OPMK2	OPPOSITE		
3			
2			
1			
NO.			

OPTION 1

GUIDE DETAIL

MAT'L: \_\_\_\_\_

FINISH: \_\_\_\_\_

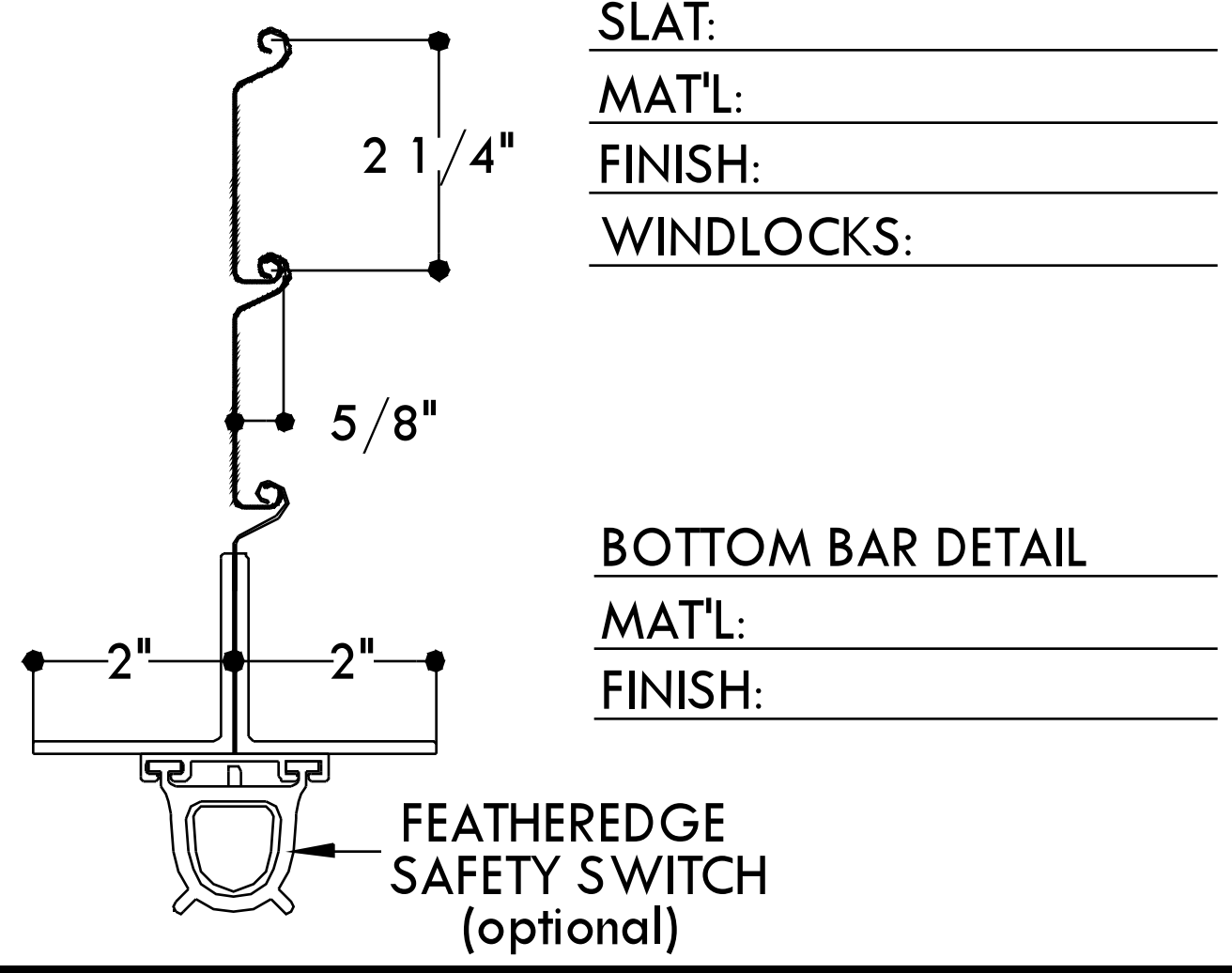
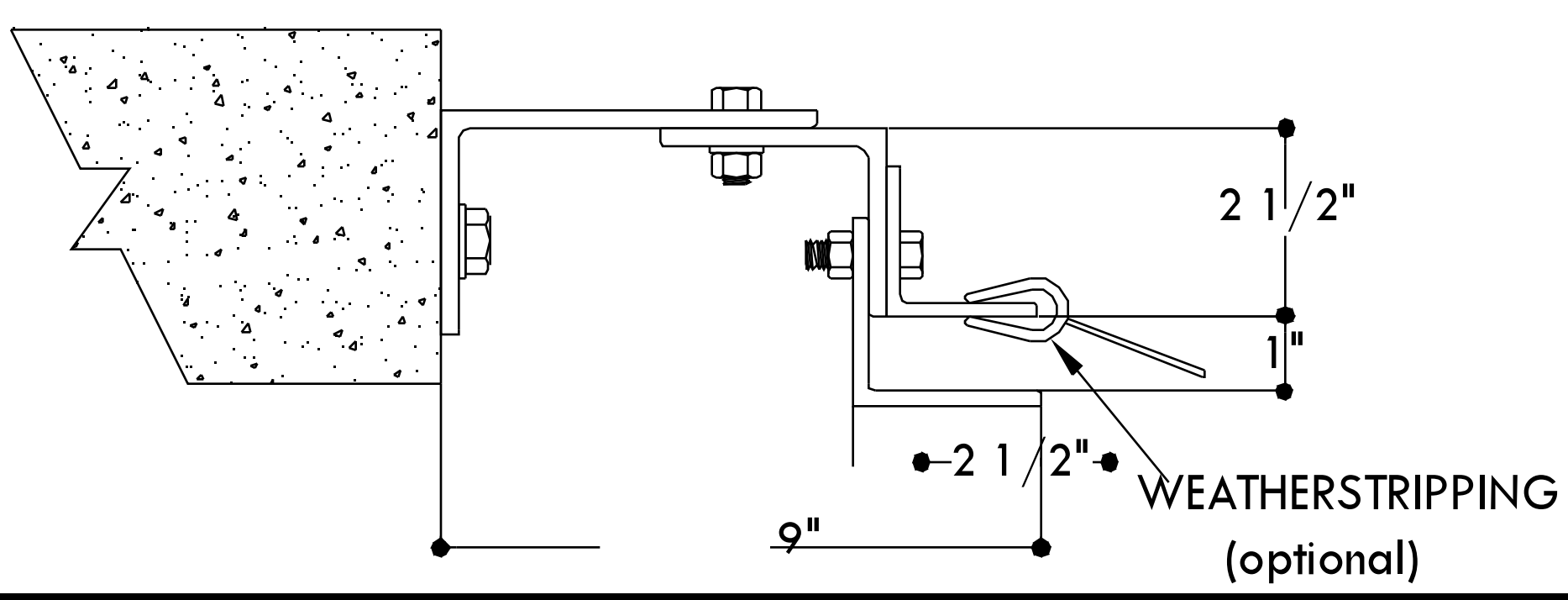


OPTION 2

GUIDE DETAIL

MAT'L: \_\_\_\_\_

FINISH: \_\_\_\_\_



NOTES:

1. THIS DRAWING COVERS GENERAL CONDITIONS, DIMS, AND SPECIFICATIONS ONLY. DO NOT USE FOR INSTALLATION PURPOSES, INSTALLATION INSTRUCTIONS AND DIMENSIONS ARE INCLUDED WITH SHIPMENT.

2. CONSULT FACTORY FOR WIND LOAD CALCULATION

DIMENSIONS AND CLEARANCES AS NOTED BY ASTERISK (\*) MUST BE FIELD CHECKED.

SERVICE DOOR

HORIZ. MOUNTED MOTOR OPERATED

BETWEEN JAMB