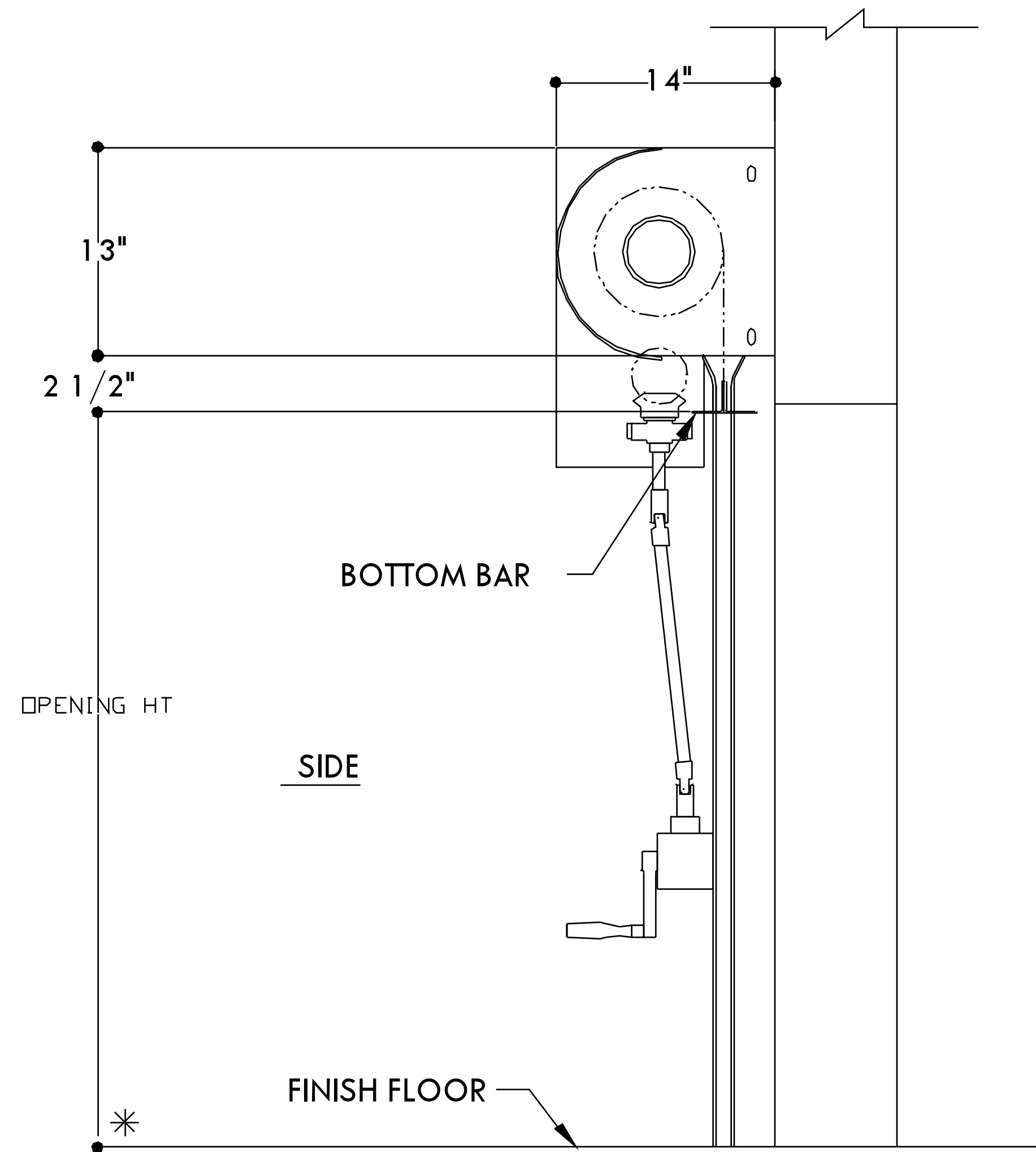
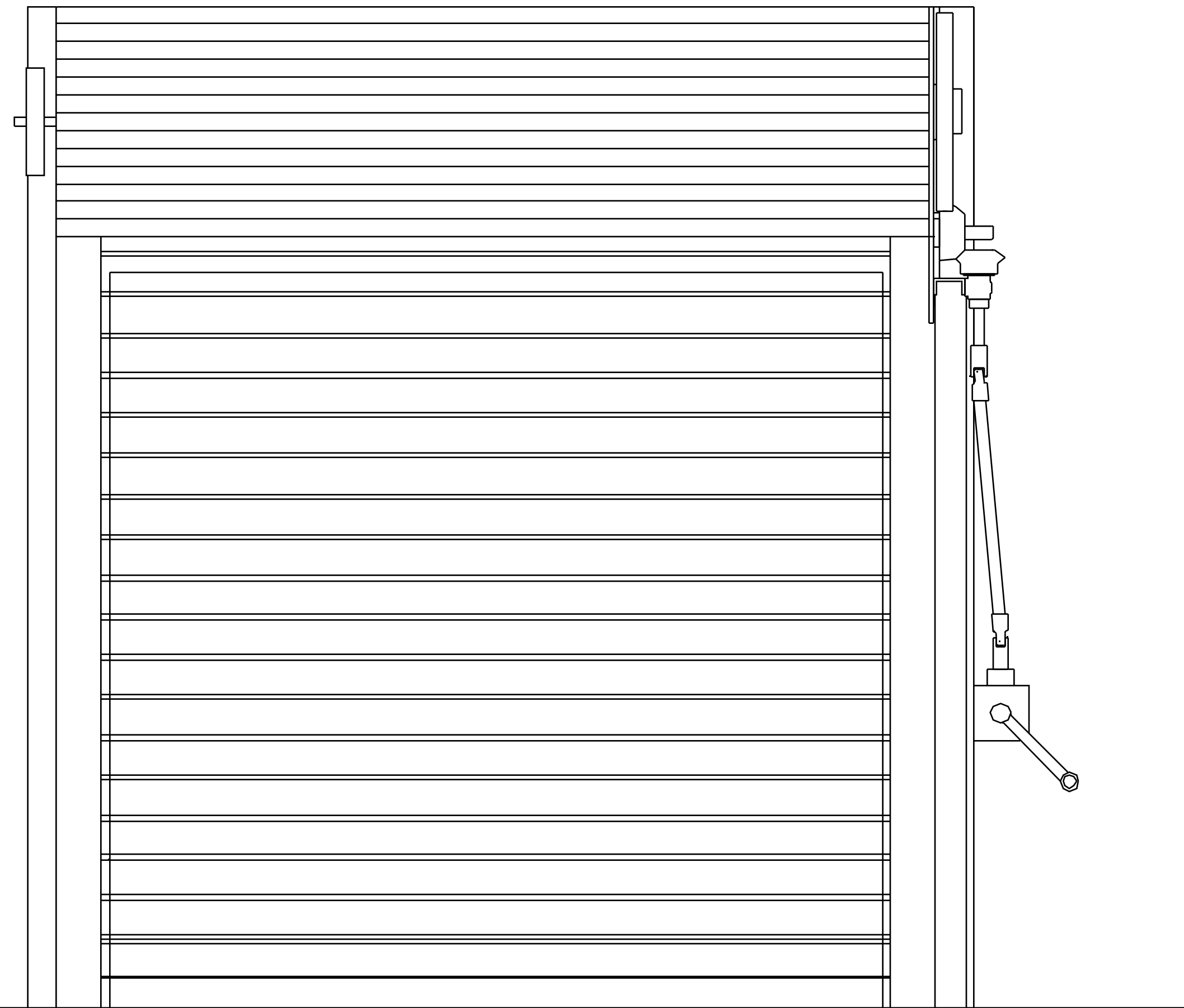


HOOD
MAT'L: _____
FINISH: _____



JOB: _____

CONTRACTOR: _____

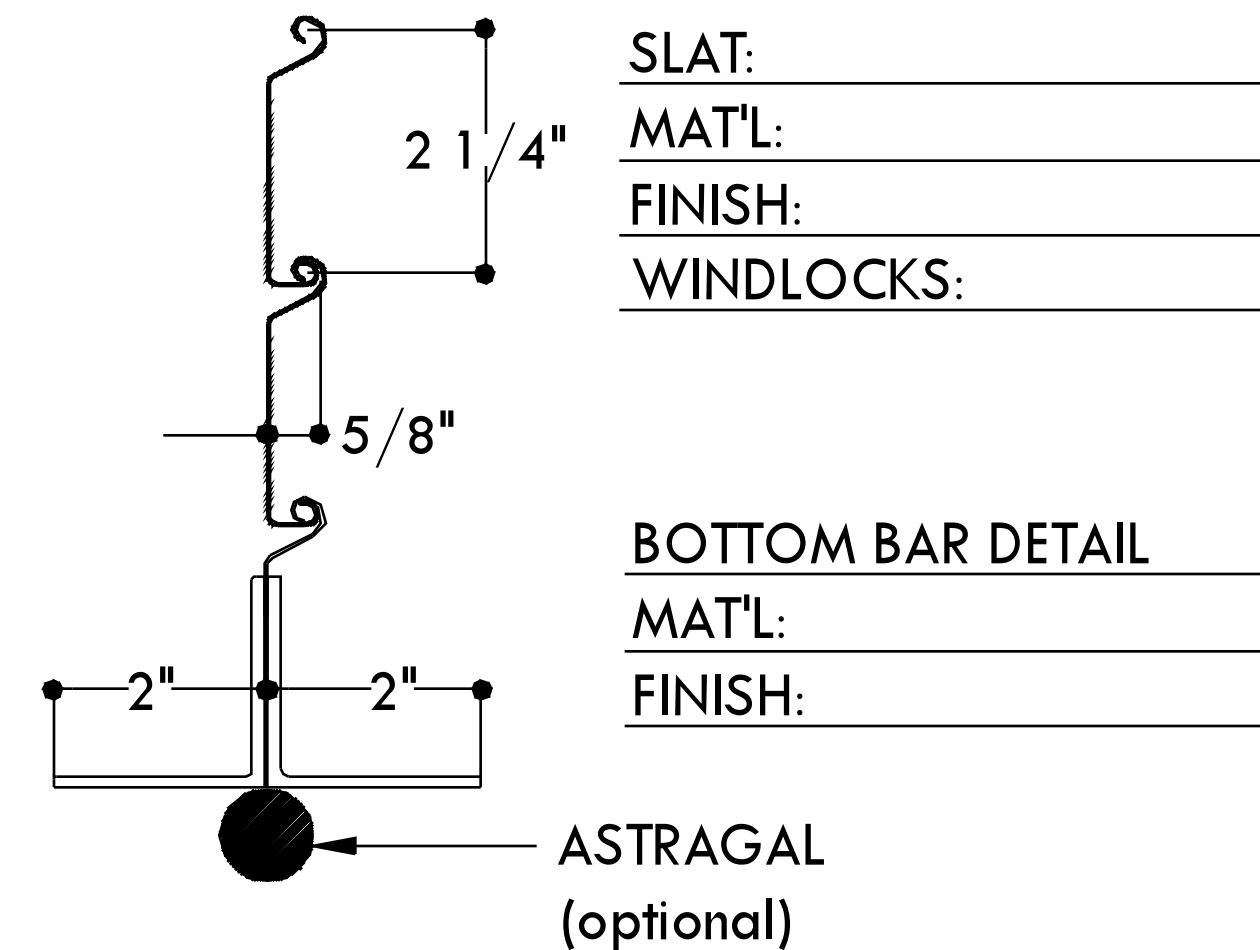
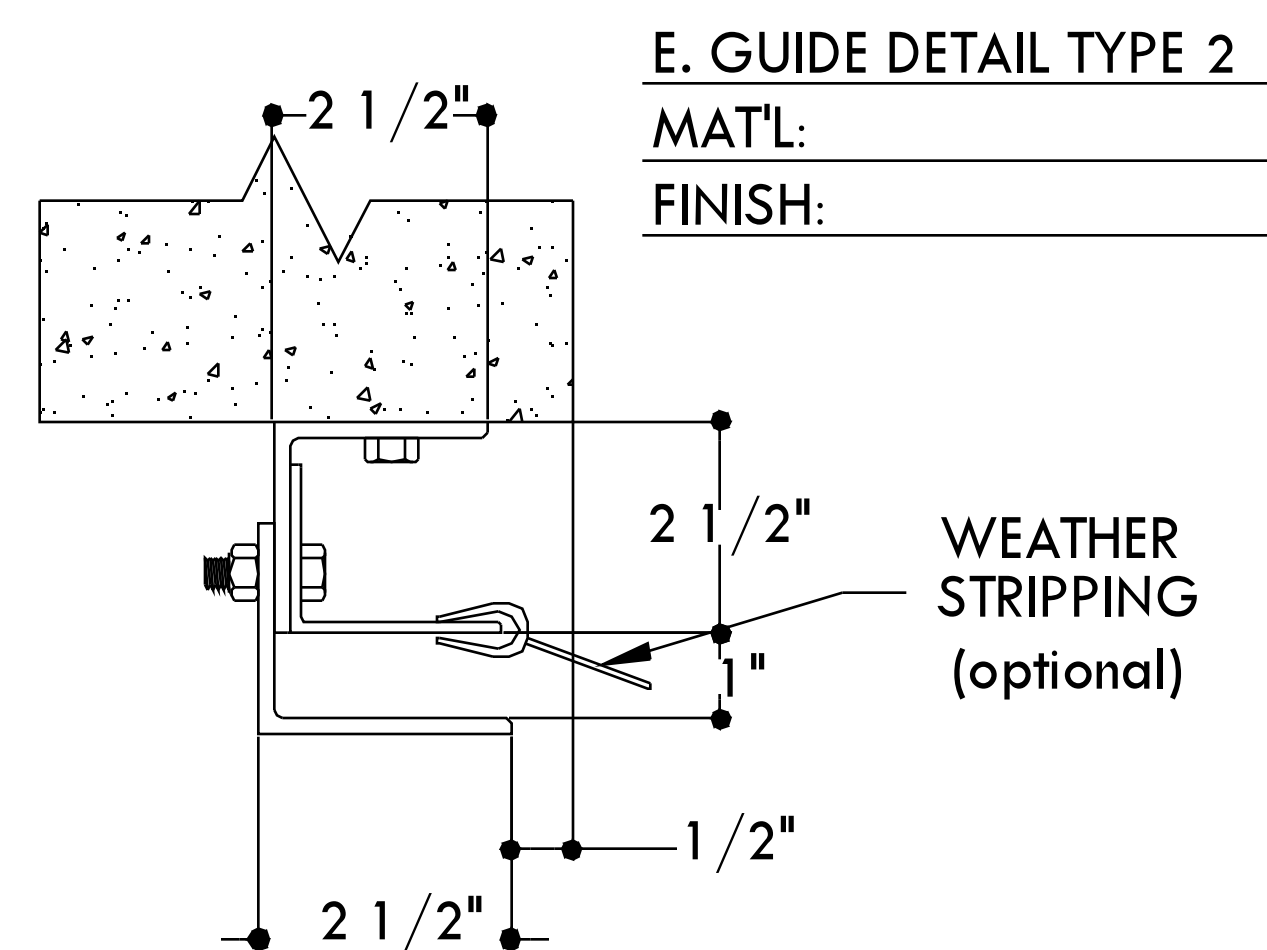
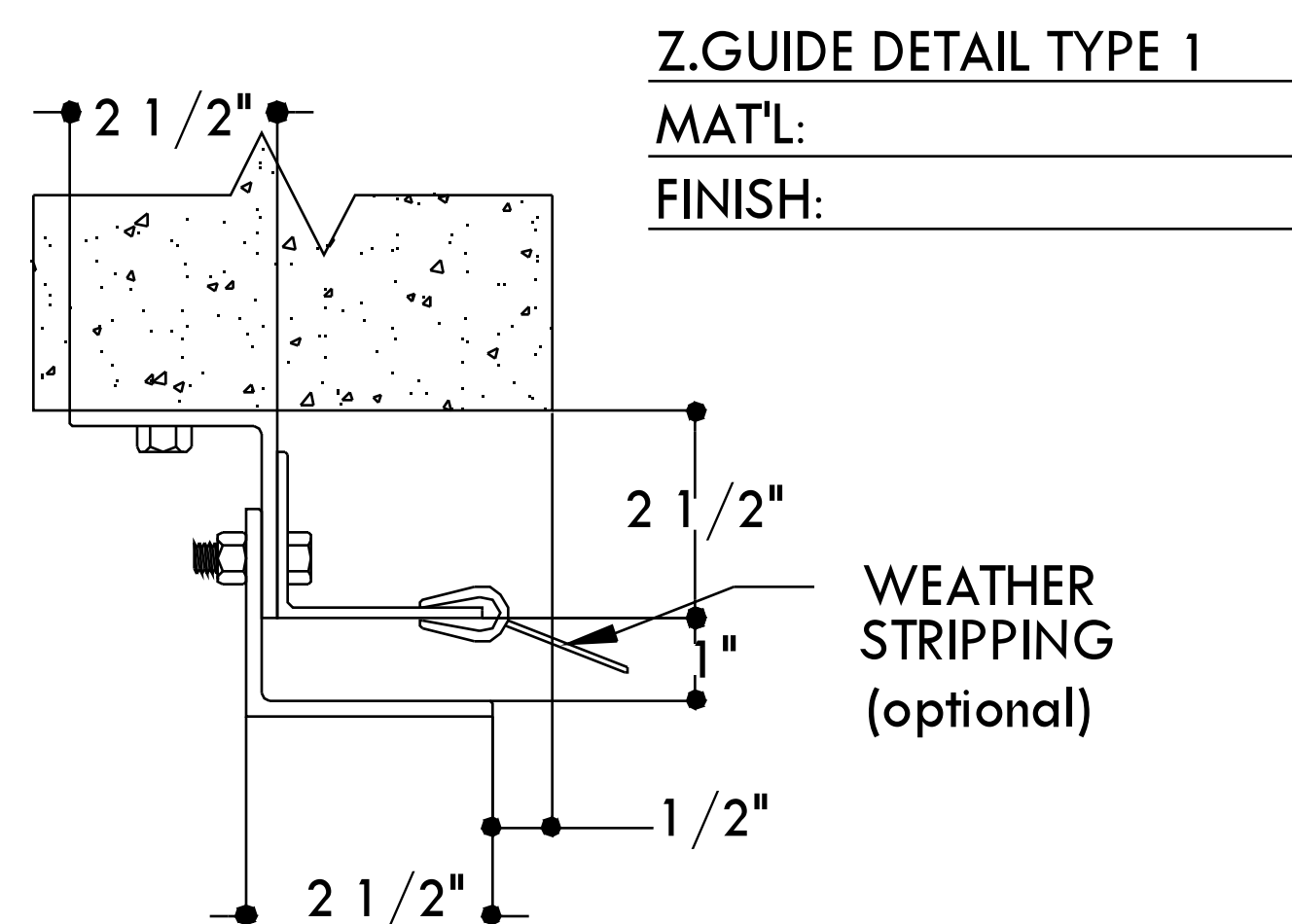
ARCHITECT: _____

DISTRIBUTOR: _____

DRAWING NO. _____ # OF _____

VERIFIED BY: _____ ON _____

MAKE	HAND	ARCH. MARK	BEST DOOR
MAKE1 MAKE2			
OPMK1 OPMK2			
3			
2			
1			
NO.			



NOTES:

1. THIS DRAWING COVERS GENERAL CONDITIONS, DIMS, AND SPECIFICATIONS ONLY. DO NOT USE FOR INSTALLATION PURPOSES, INSTALLATION INSTRUCTIONS AND DIMENSIONS ARE INCLUDED WITH SHIPMENT.
2. CONSULT FACTORY FOR WIND LOAD CALCULATION

* DIMENSIONS AND CLEARANCES AS NOTED BY ASTERISK (*) MUST BE FIELD CHECKED.

SERVICE DOOR

CRANK OPERATED

FACE MOUNTED