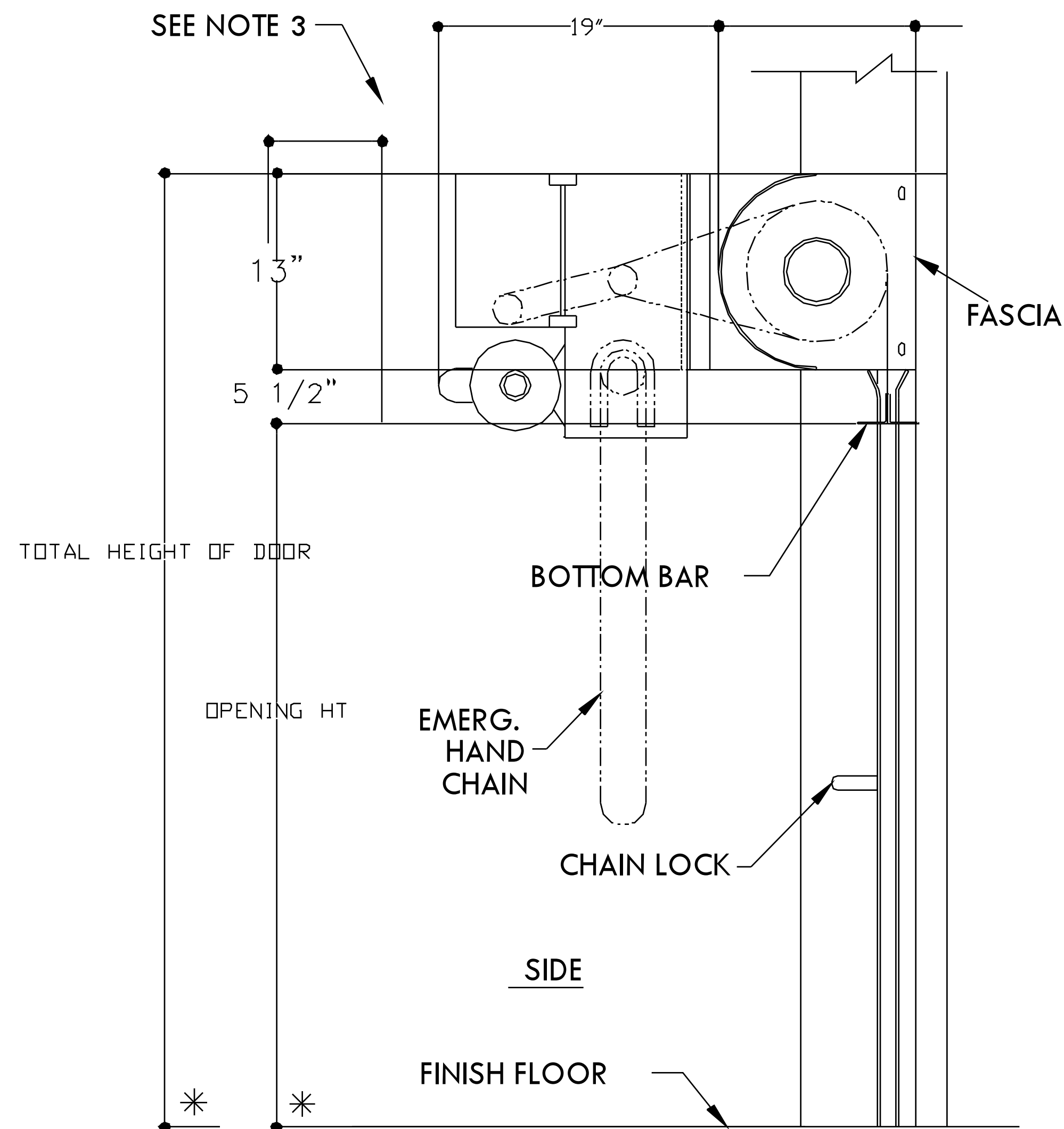
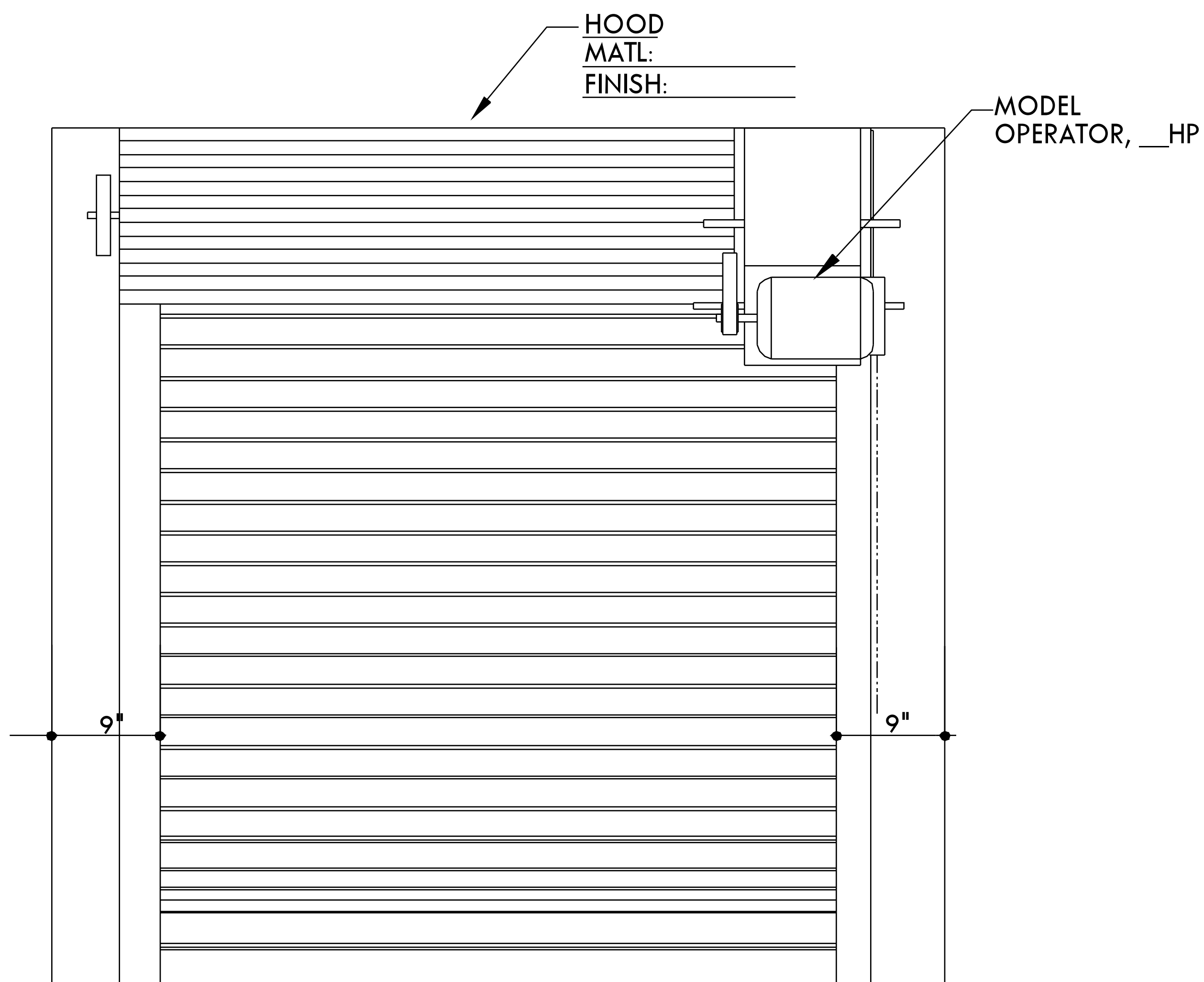


* VERIFY WALL CONSTRUCTION

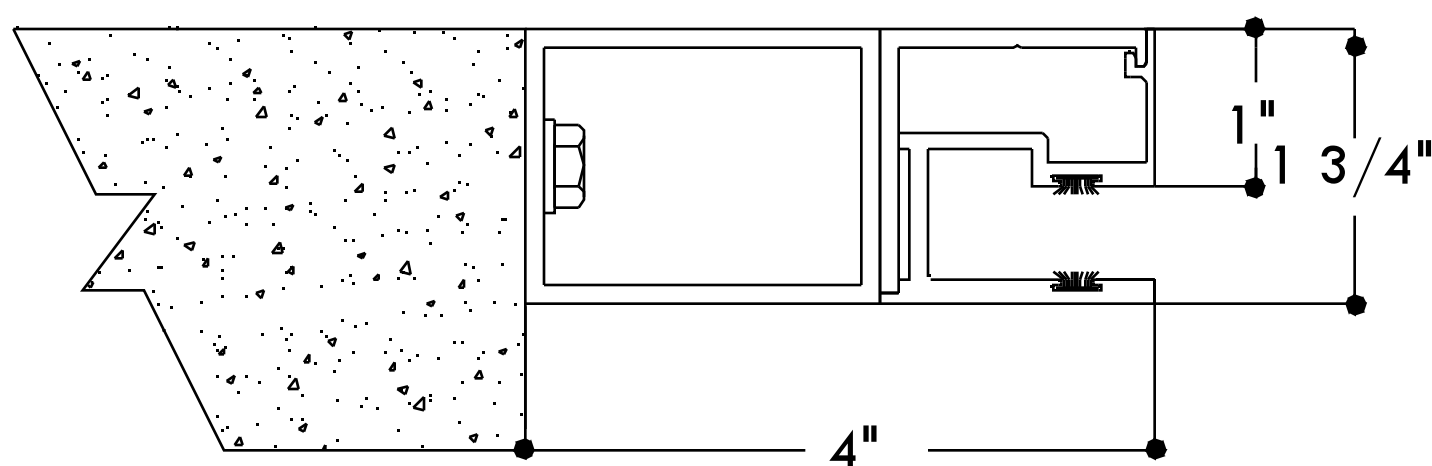


OPTION 1

GUIDE DETAIL

MAT'L: _____

FINISH: _____

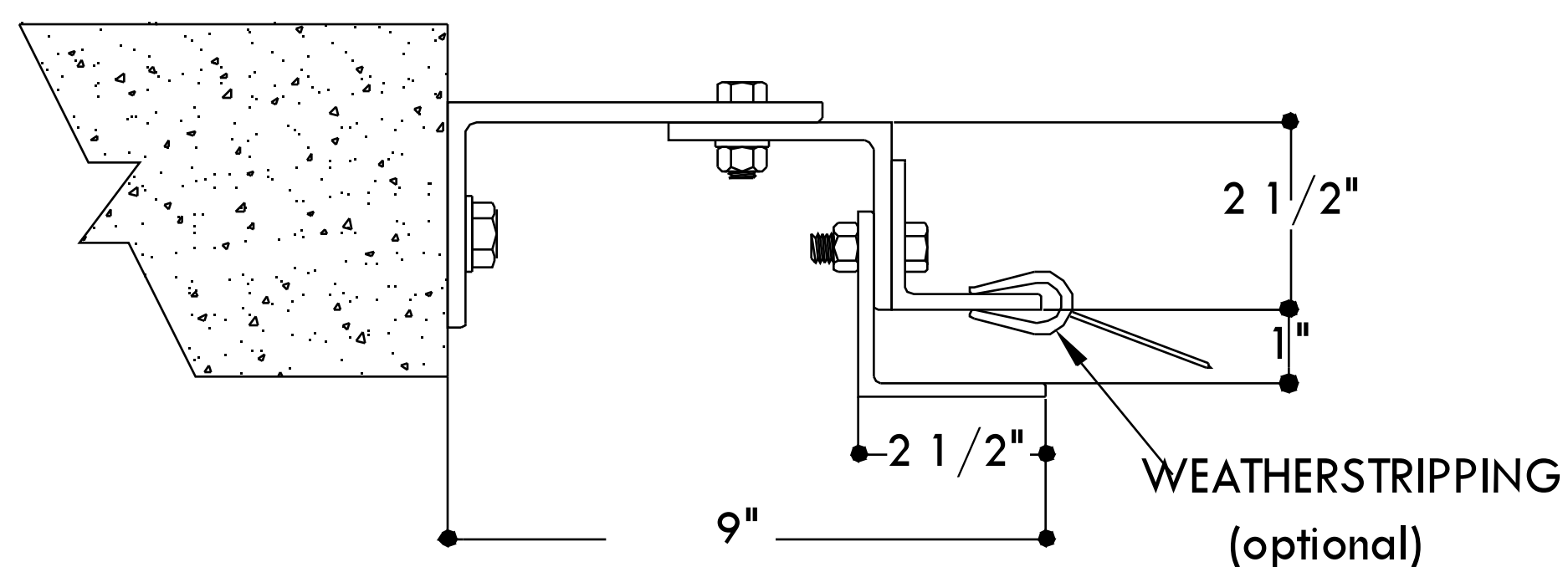


OPTION 2

GUIDE DETAIL

MAT'L: _____

FINISH: _____

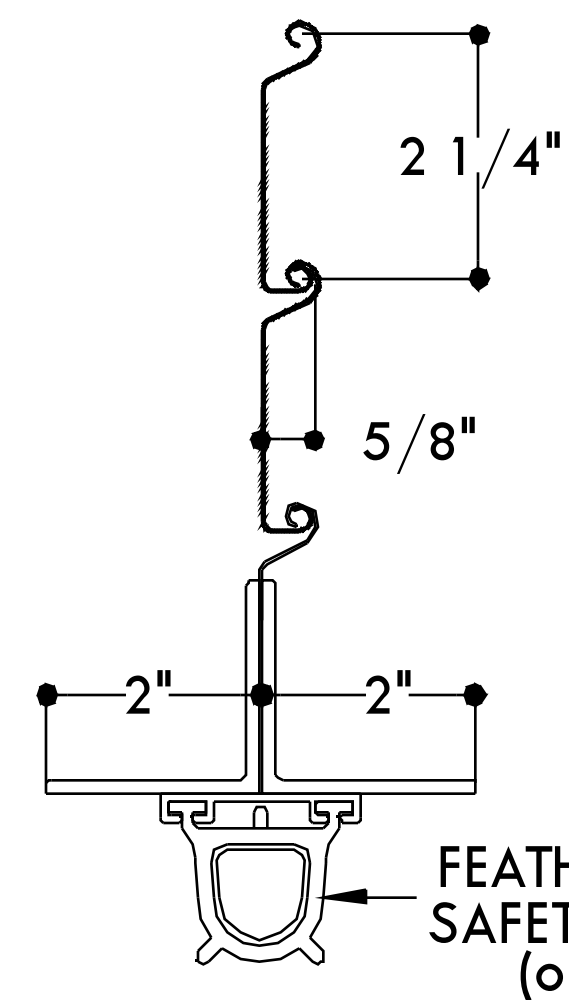


SLAT:

MAT'L: _____

FINISH: _____

WINDLOCKS: _____



BOTTOM BAR DETAIL

MAT'L: _____

FINISH: _____



JOB: _____

CONTRACTOR: _____

ARCHITECT: _____

DISTRIBUTOR: _____

DRAWING NO. _____ # OF _____

VERIFIED BY: _____ ON _____

MAKE	HAND	ARCH. MARK	BEST DOOR
MAKE1 MAKE2			
OPMK1 OPMK2			
3			
2			
1			
NO.			

NOTES:

1. THIS DRAWING COVERS GENERAL CONDITIONS, DIMS, AND SPECIFICATIONS ONLY. DO NOT USE FOR INSTALLATION PURPOSES, INSTALLATION INSTRUCTIONS AND DIMENSIONS ARE INCLUDED WITH SHIPMENT.
2. CONSULT FACTORY FOR WIND LOAD CALCULATION

DIMENSIONS AND CLEARANCES AS NOTED BY ASTERISK (*) MUST BE FIELD CHECKED.

SERVICE DOOR

MOTOR OPERATED

BETWEEN JAMB