

JOB: _____
 CONTRACTOR: _____
 ARCHITECT: _____
 DISTRIBUTOR: _____
 DRAWING NO. _____ # OF _____

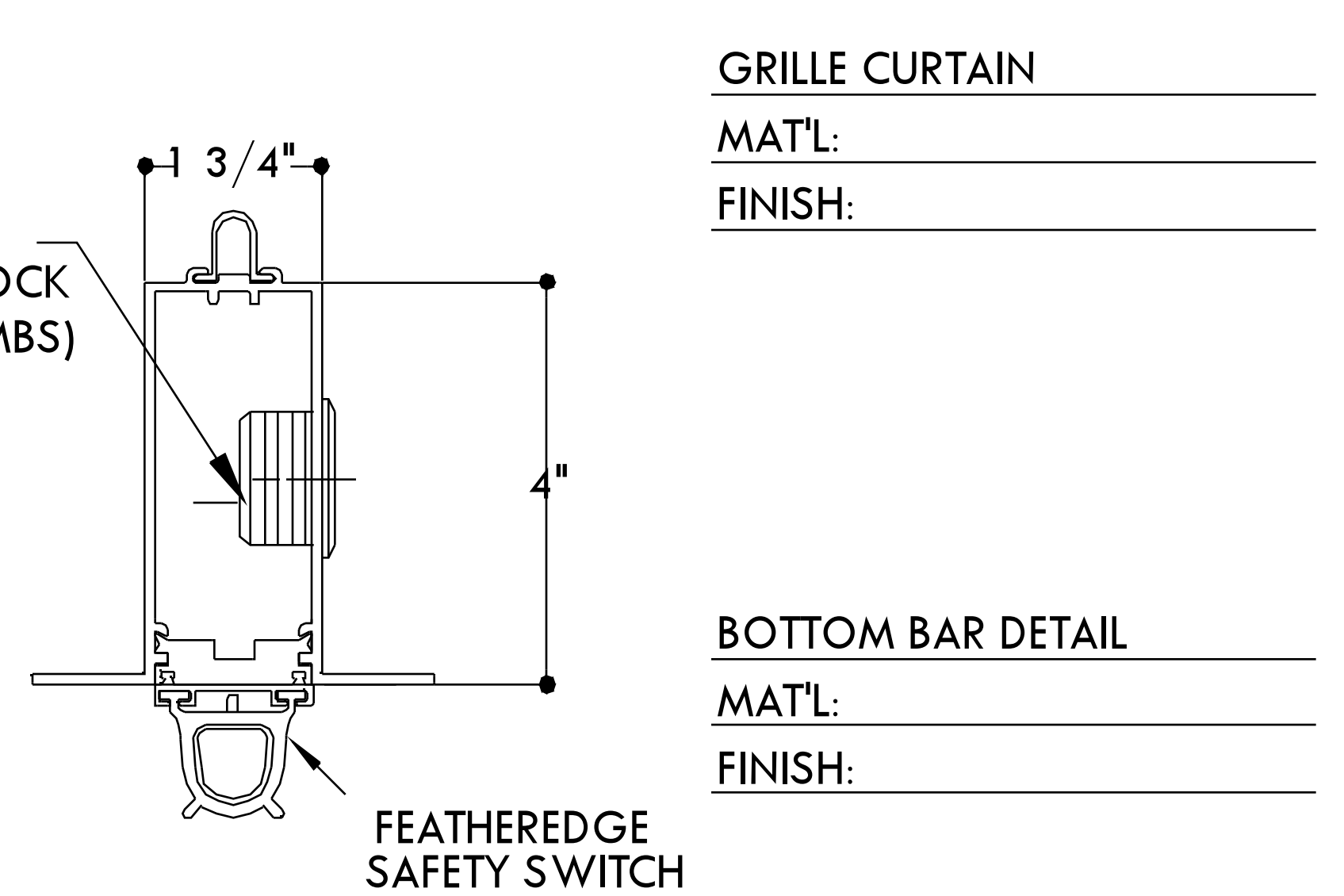
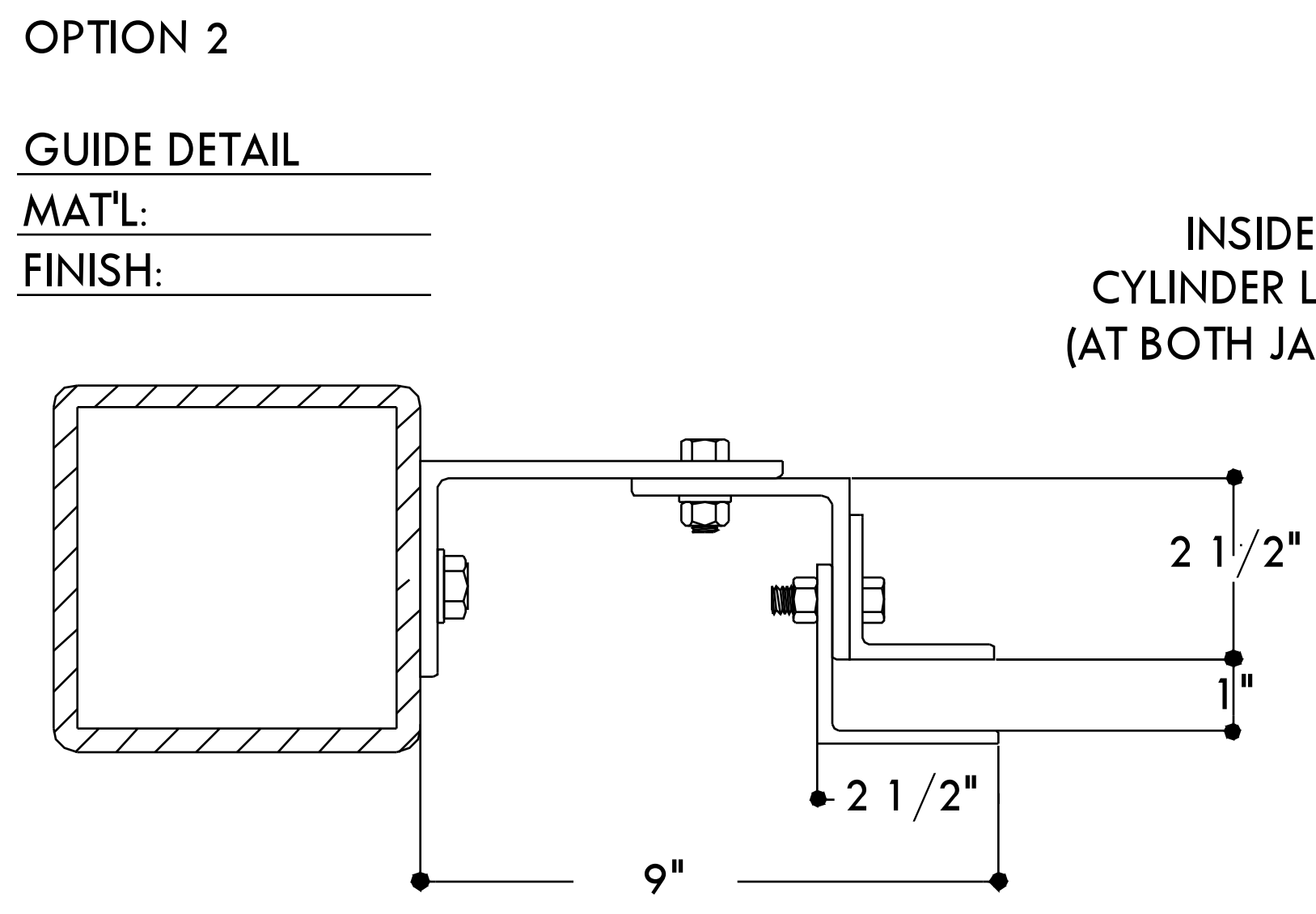
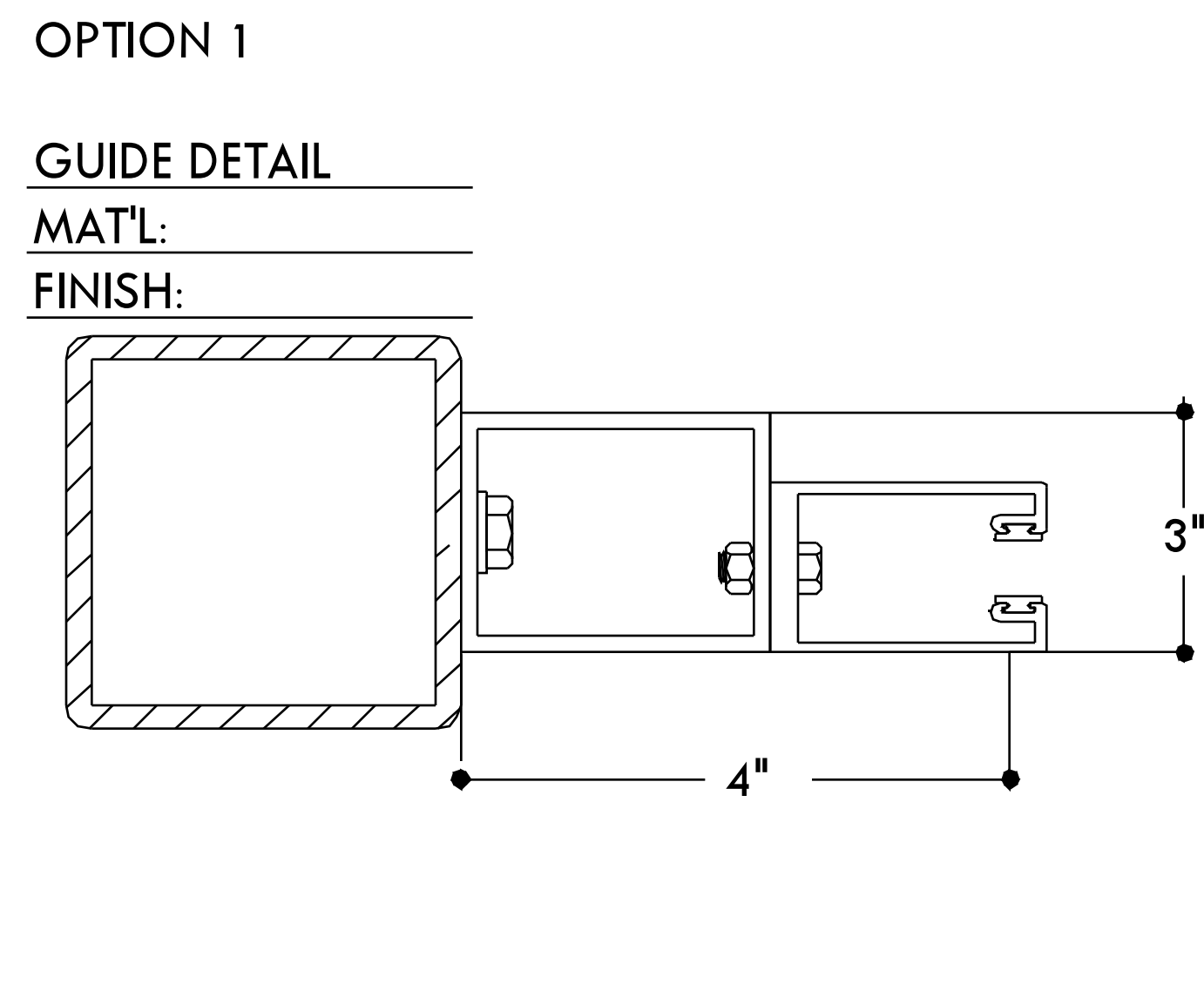
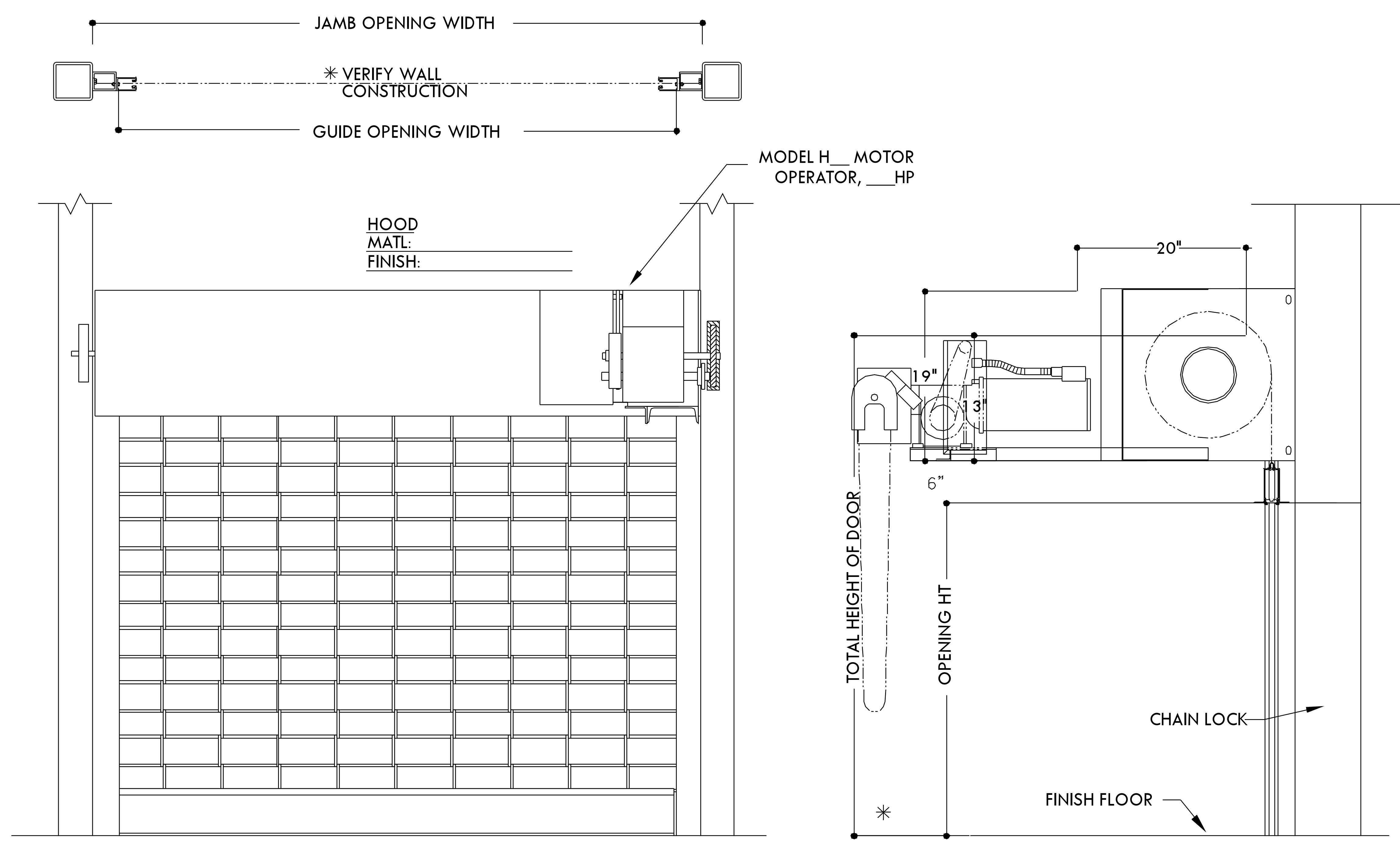
VERIFIED BY: _____ ON _____

MAKE	HAND	ARCH. MARK	BEST DOOR

NOTES:
 1. THIS DRAWING COVERS GENERAL CONDITIONS, DIMS, AND SPECIFICATIONS ONLY. DO NOT USE FOR INSTALLATION PURPOSES, INSTALLATION INSTRUCTIONS AND DIMENSIONS ARE INCLUDED WITH SHIPMENT.
 2. CONSULT FACTORY FOR WIND LOAD CALCULATION

DIMENSIONS AND CLEARANCES AS NOTED BY ASTERISK (*) MUST BE FIELD CHECKED.

DRAWINGS ARE NOT DRAWN TO SCALE



GRILLE

HORIZ MOUNT MOTOR OPERATED

BETWEEN TUBE MOUNT