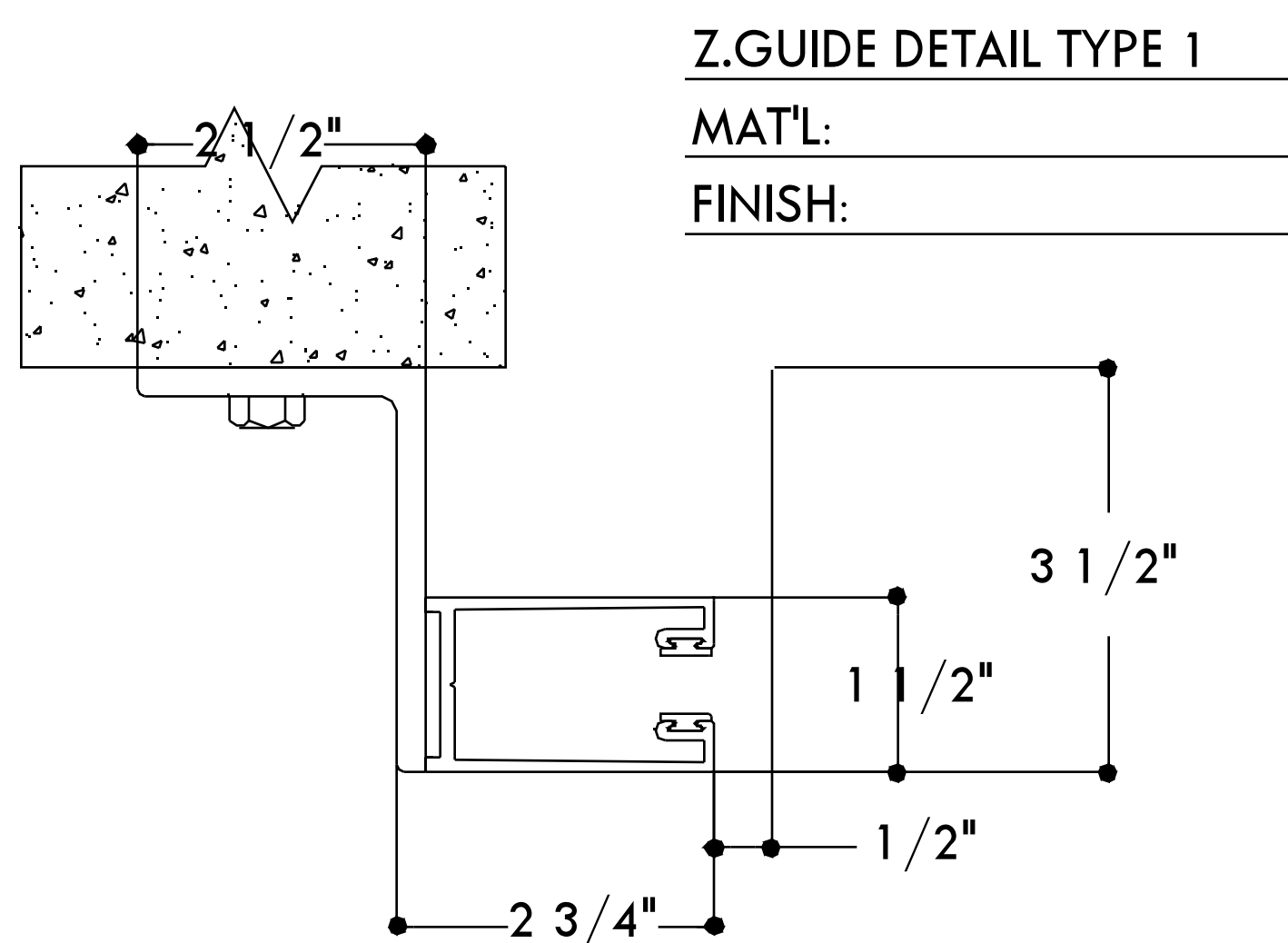


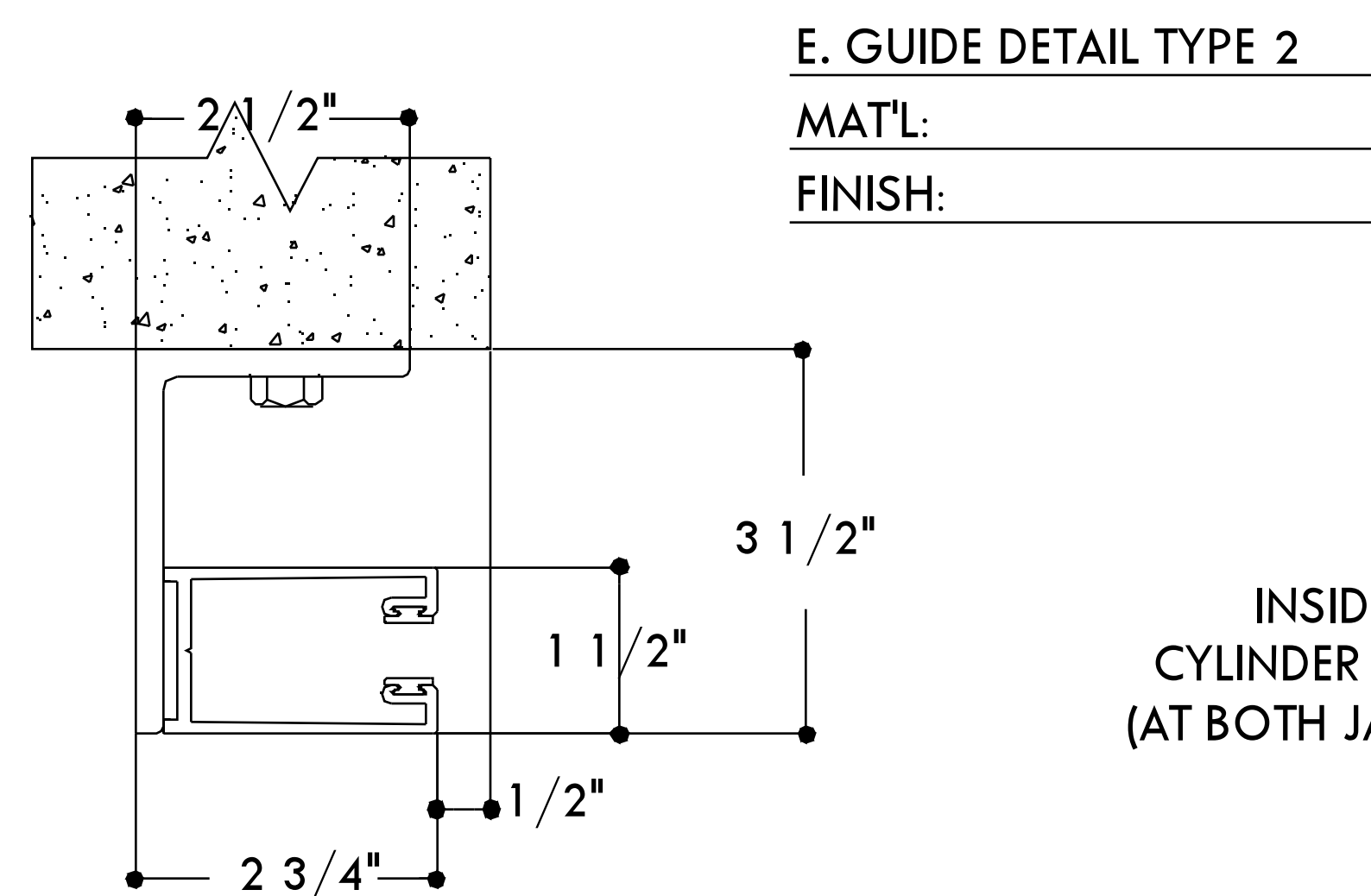
JOB:  
 CONTRACTOR:  
 ARCHITECT:  
 DISTRIBUTOR:  
 DRAWING NO. # OF

VERIFIED BY: \_\_\_\_\_ ON \_\_\_\_\_

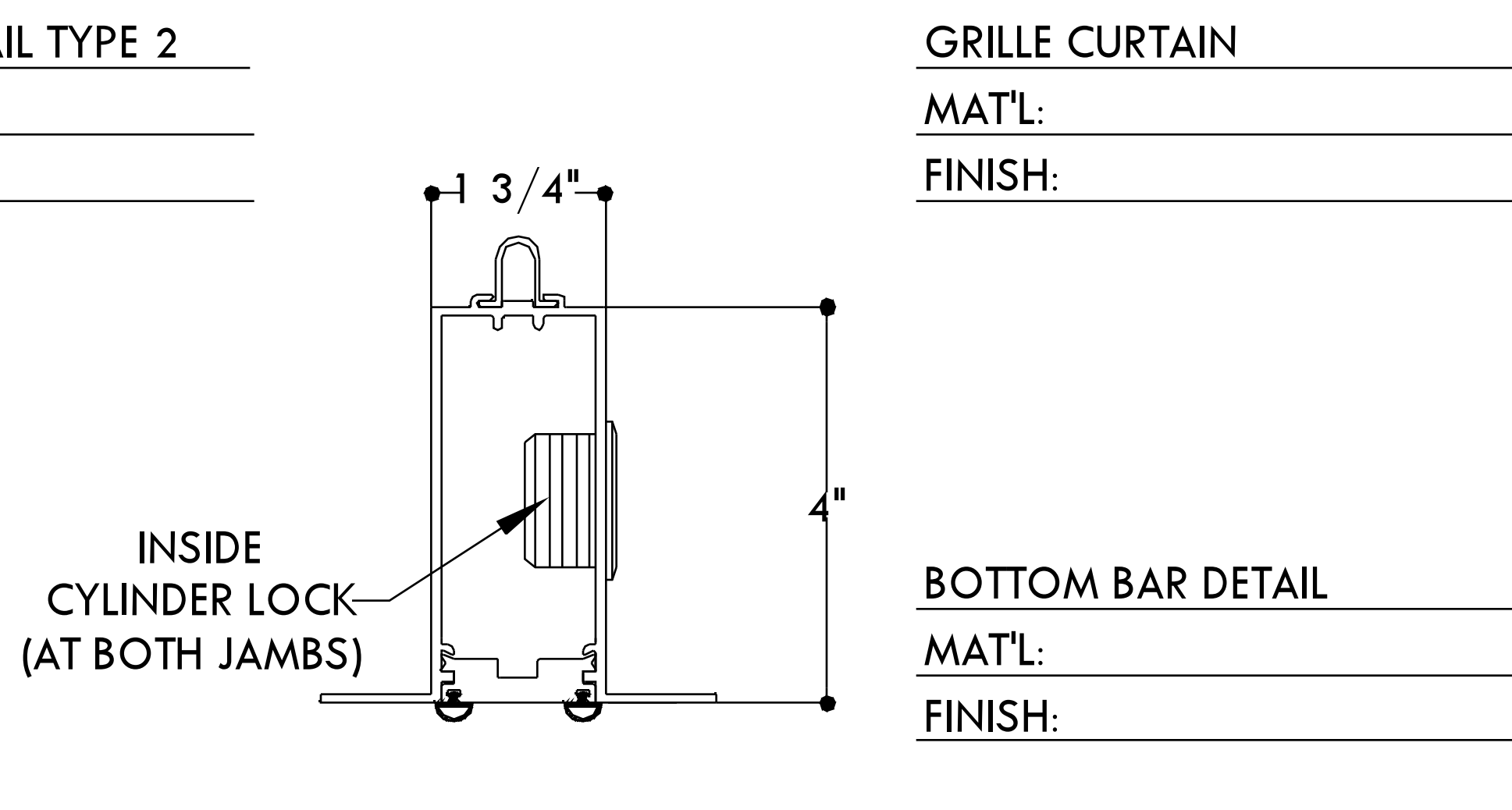
MAKE	HAND	ARCH. MARK	BEST DOOR



GRILLE



CRANK OPERATED



FACE MOUNTED

**NOTES:**

1. THIS DRAWING COVERS GENERAL CONDITIONS, DIMS, AND SPECIFICATIONS ONLY. DO NOT USE FOR INSTALLATION PURPOSES, INSTALLATION INSTRUCTIONS AND DIMENSIONS ARE INCLUDED WITH SHIPMENT.
2. CONSULT FACTORY FOR WIND LOAD CALCULATION

DIMENSIONS AND CLEARANCES AS NOTED BY ASTERISK (\*) MUST BE FIELD CHECKED.

DRAWINGS ARE NOT DRAWN TO SCALE