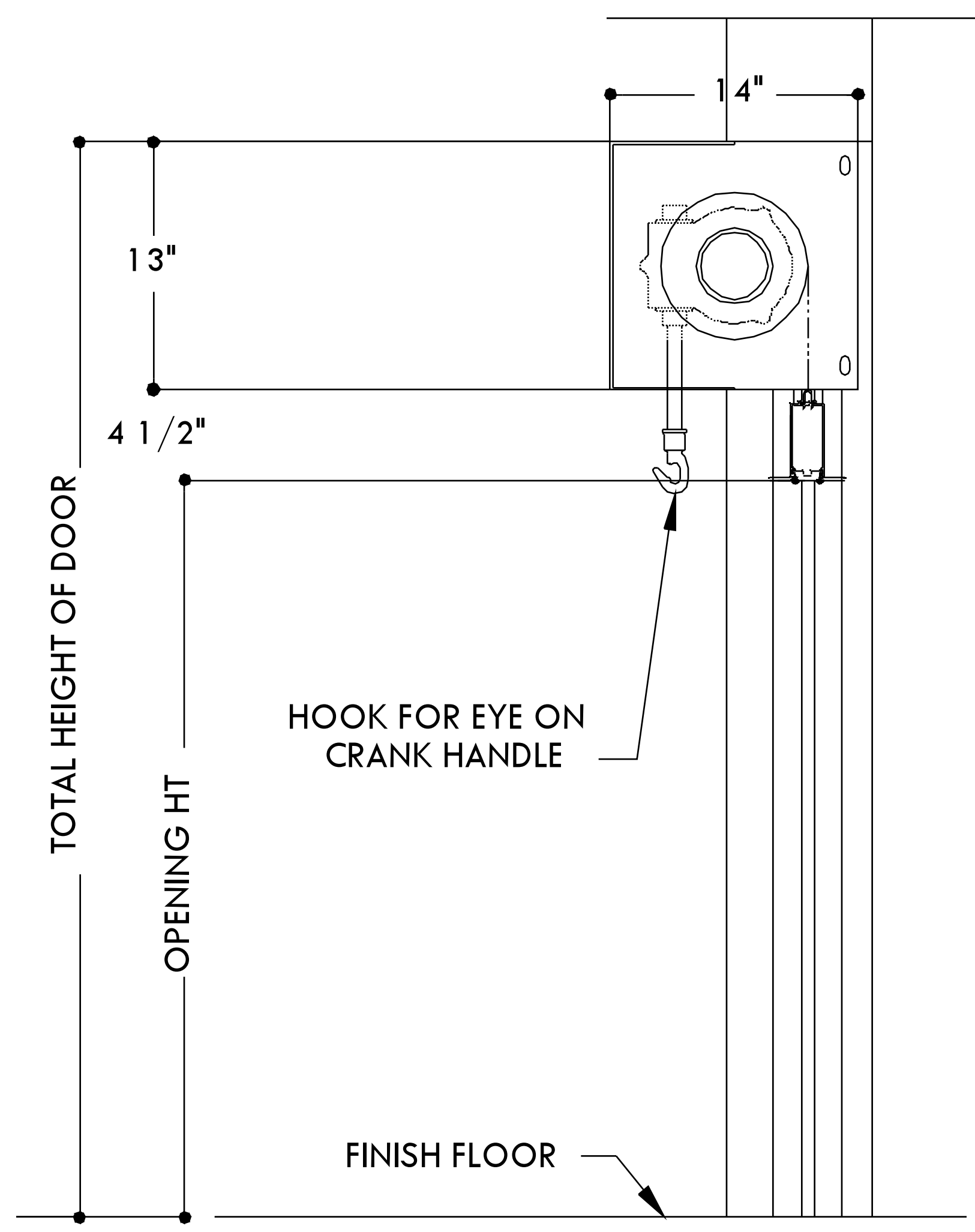
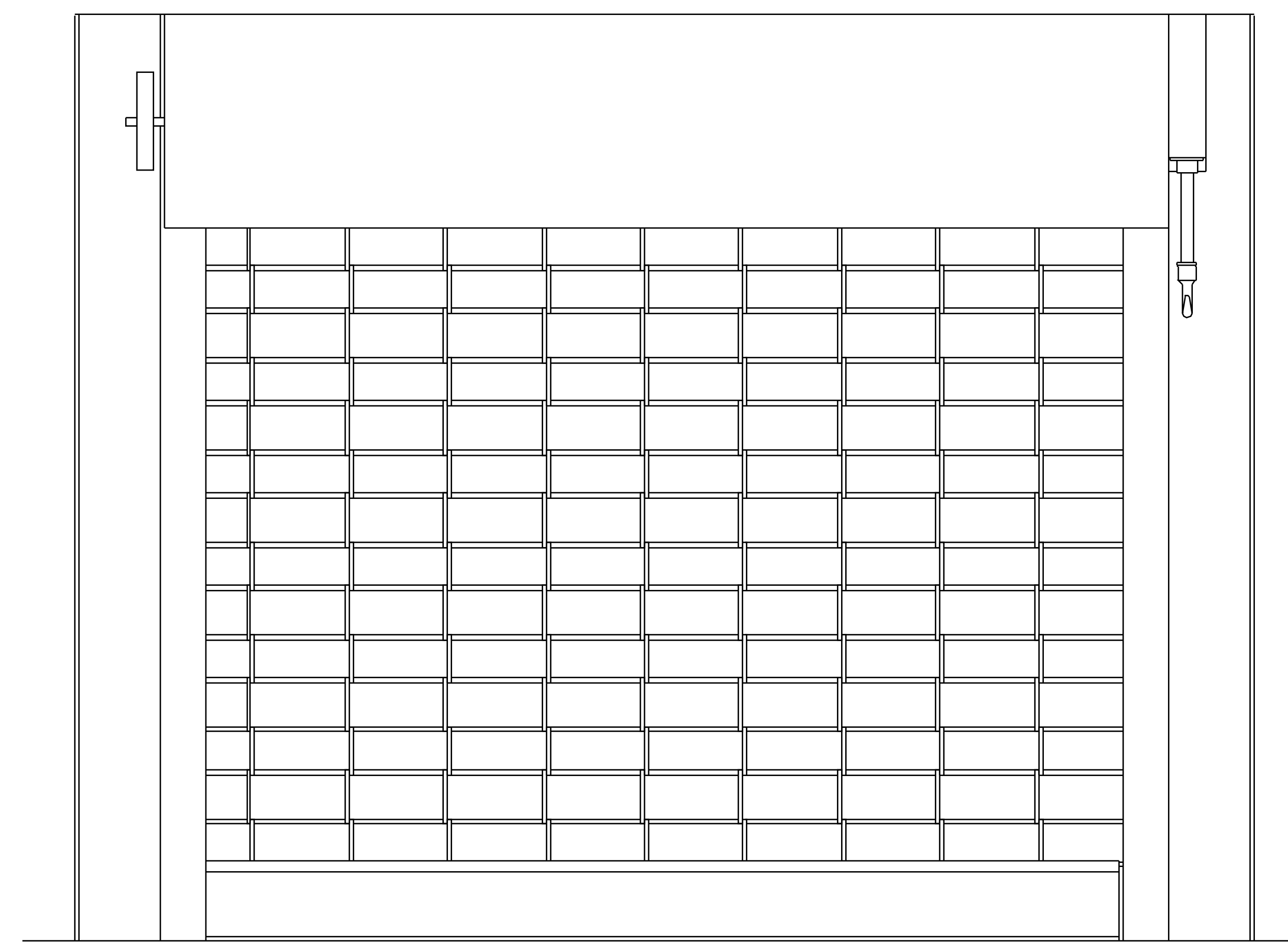
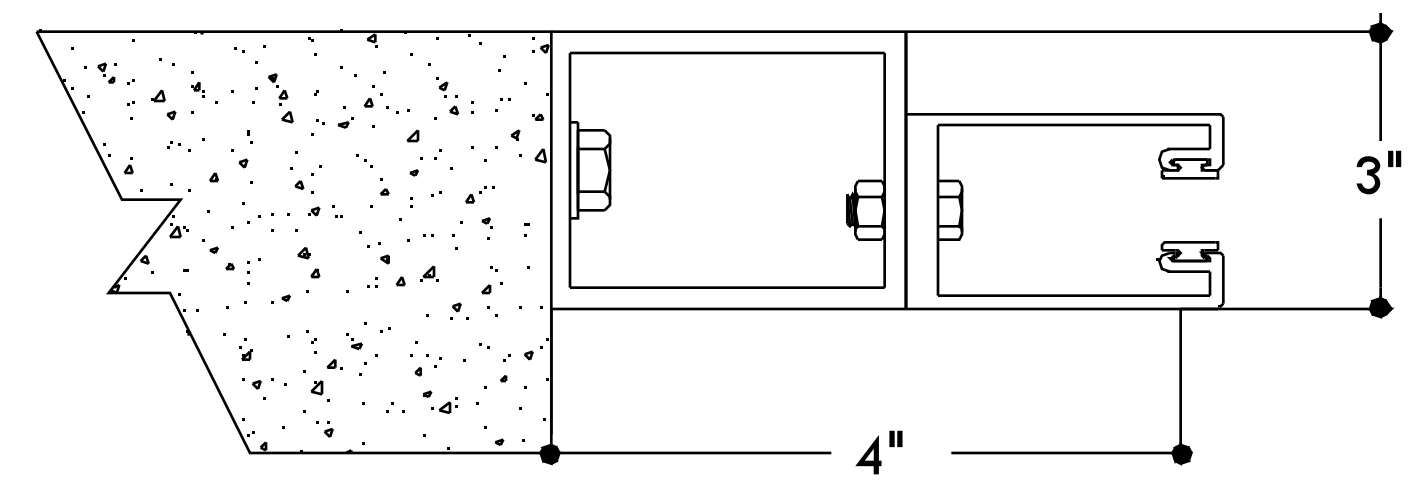


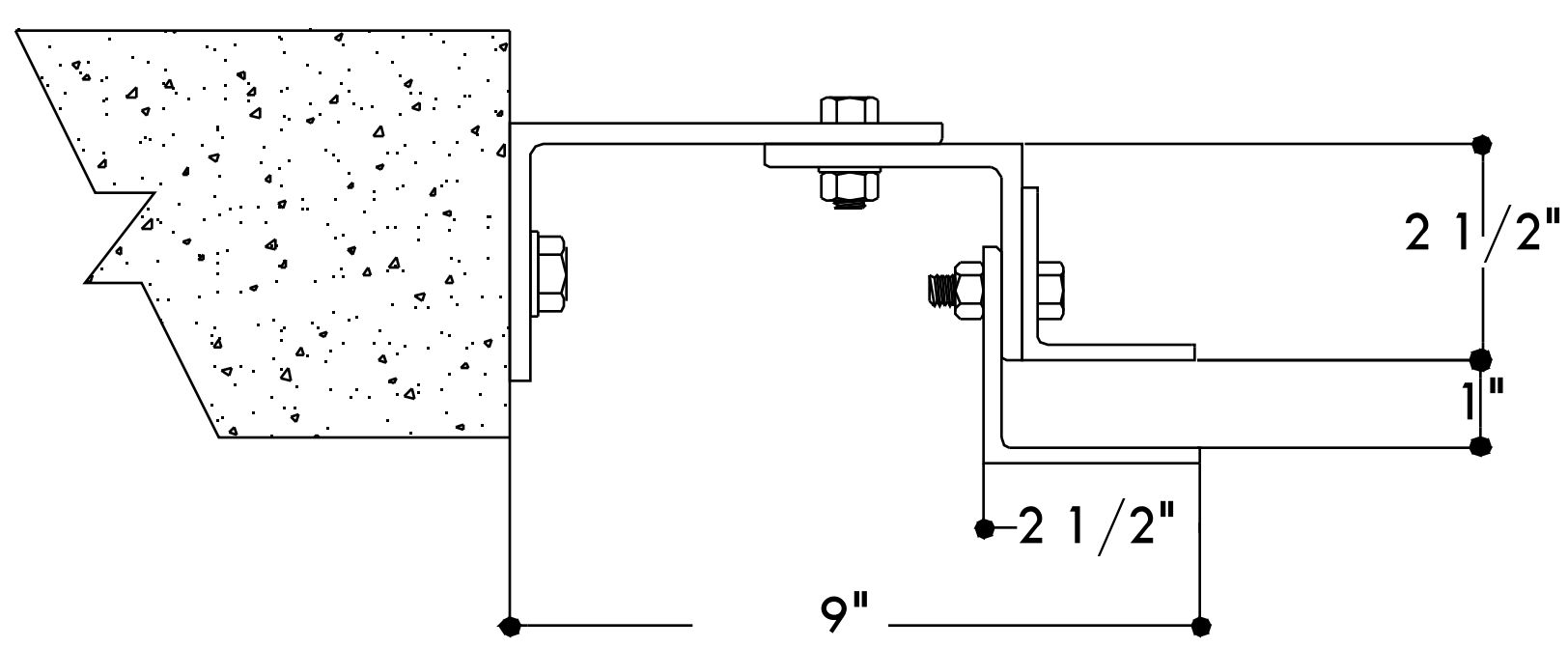
HOOD
MAT'L: _____
FINISH: _____



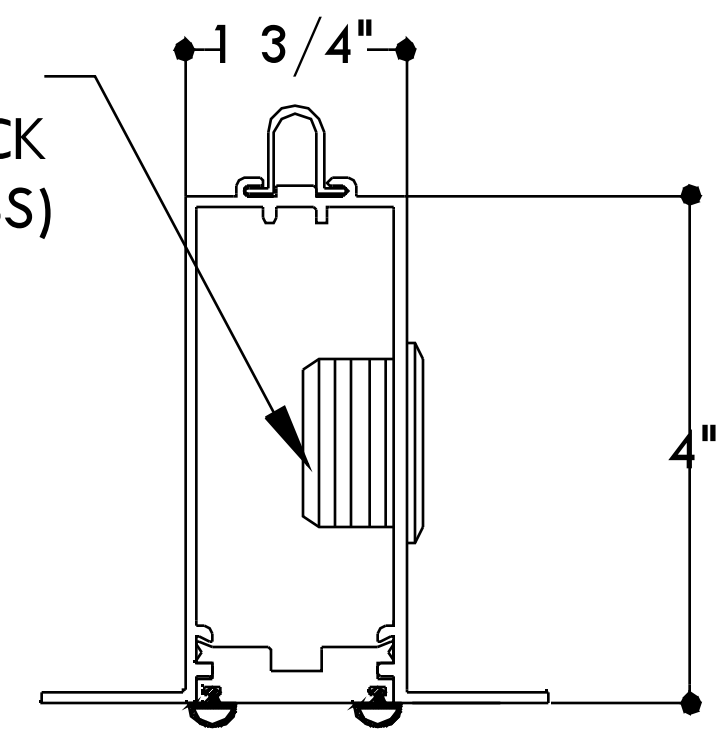
OPTION 1
GUIDE DETAIL
MAT'L: _____
FINISH: _____



OPTION 2
GUIDE DETAIL
MAT'L: _____
FINISH: _____



INSIDE
CYLINDER LOCK
(AT BOTH JAMBS)



SLAT: #5 - 18GA
MAT'L: _____
FINISH: _____
WINDLOCKS: NONE

BOTTOM BAR DETAIL
MAT'L: _____
FINISH: _____



JOB: _____
CONTRACTOR: _____
ARCHITECT: _____
DISTRIBUTOR: _____
DRAWING NO. _____ # OF _____

VERIFIED BY: _____ ON _____

MAKE	HAND	ARCH. MARK	BEST DOOR
MAKE1			
MAKE2			
MAKE3			
MAKE4			
OPMK1			
OPMK2			
OPMK3			
OPMK4			
3			
2			
1			
NO.			

NOTES:

1. THIS DRAWING COVERS GENERAL CONDITIONS, DIMS, AND SPECIFICATIONS ONLY. DO NOT USE FOR INSTALLATION PURPOSES, INSTALLATION INSTRUCTIONS AND DIMENSIONS ARE INCLUDED WITH SHIPMENT.
2. CONSULT FACTORY FOR WIND LOAD CALCULATION

DIMENSIONS AND CLEARANCES AS NOTED BY ASTERISK (*) MUST BE FIELD CHECKED.

DRAWINGS ARE NOT DRAWN TO SCALE

GRILLE

CRANK OPERATED

BETWEEN JAMB