

BEST ROLLING DOORS, INC.

JOB: _____
 CONTRACTOR: _____
 ARCHITECT: _____
 DISTRIBUTOR: _____
 DRAWING NO. _____ # OF _____

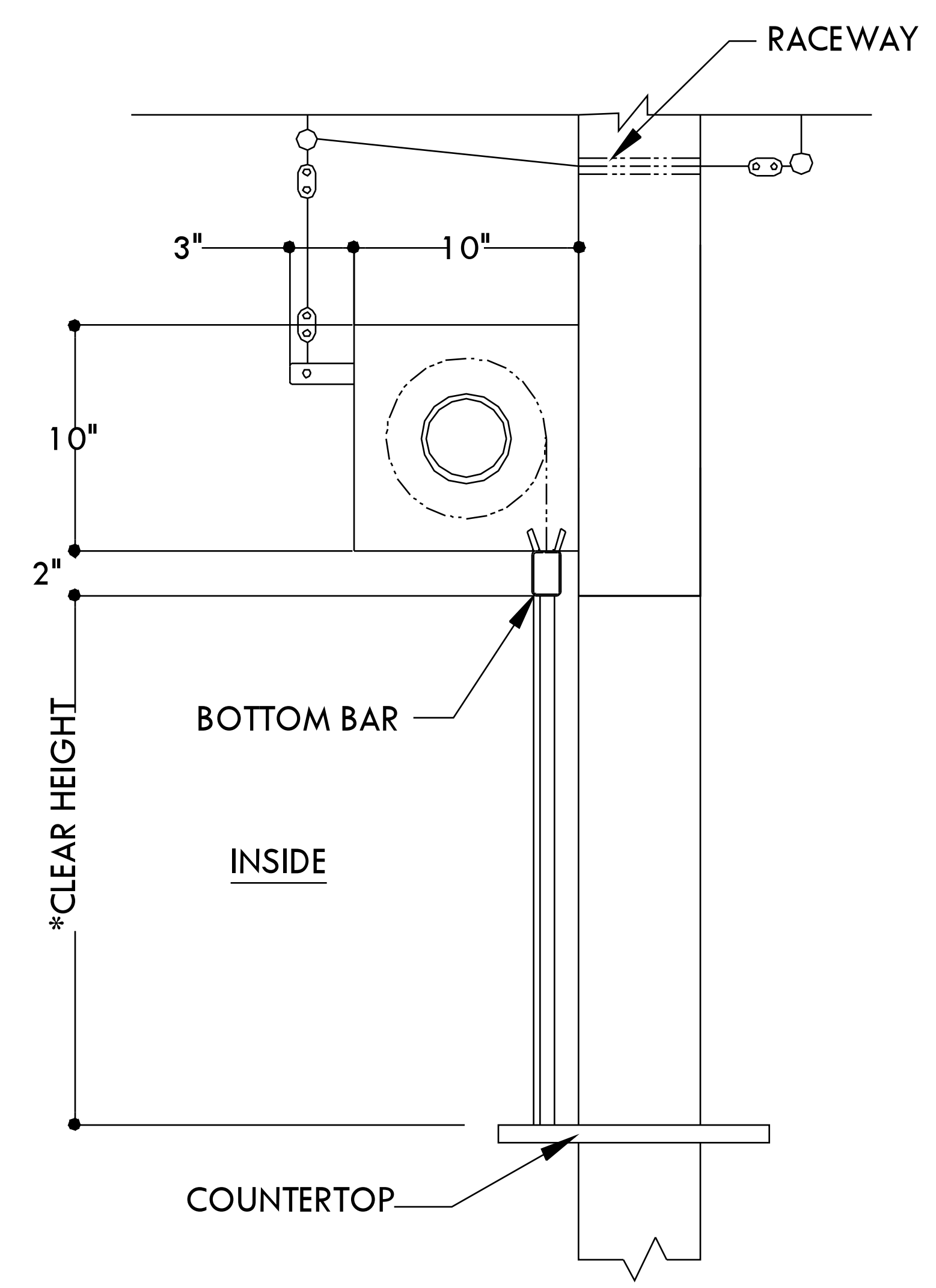
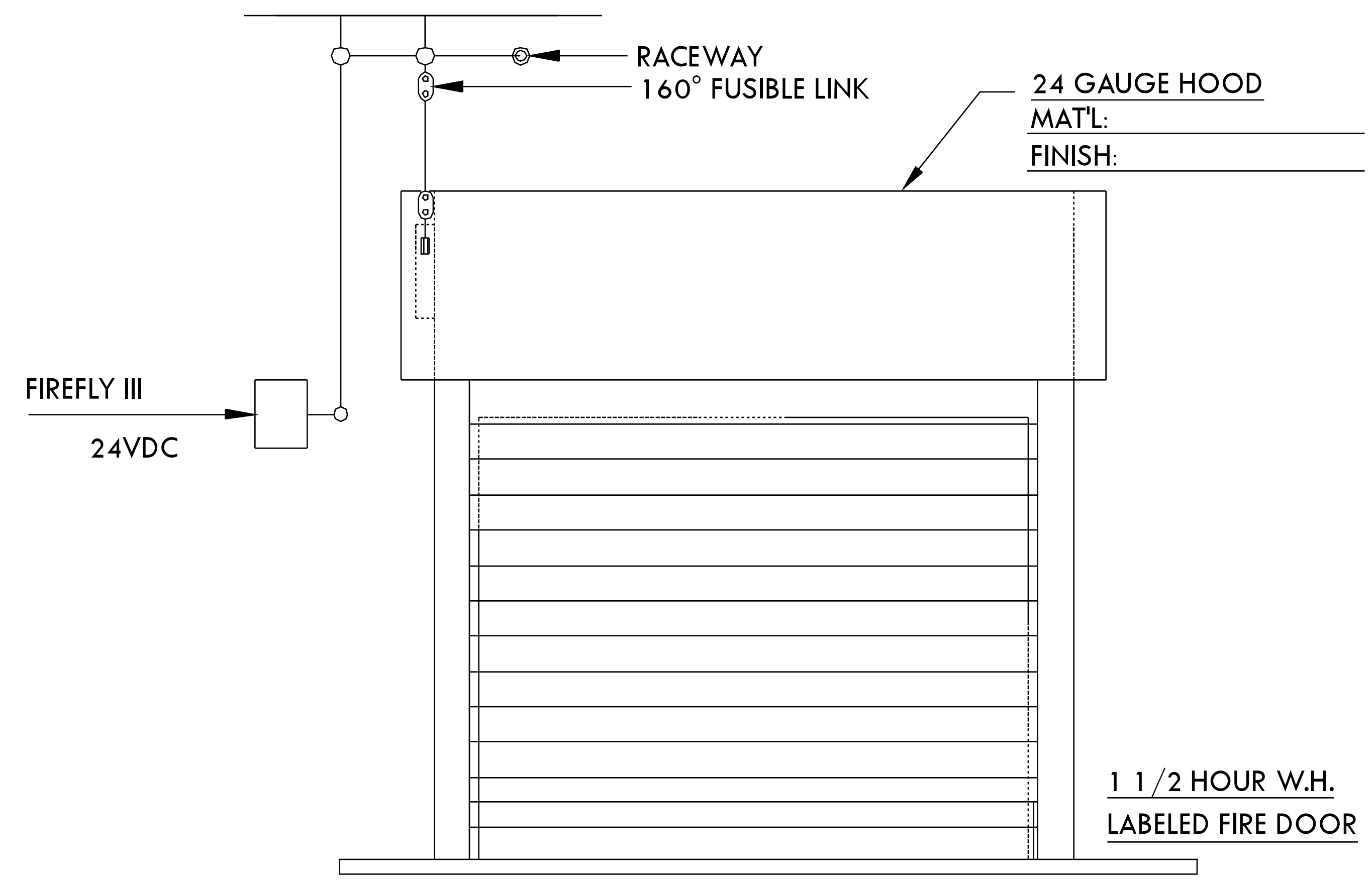
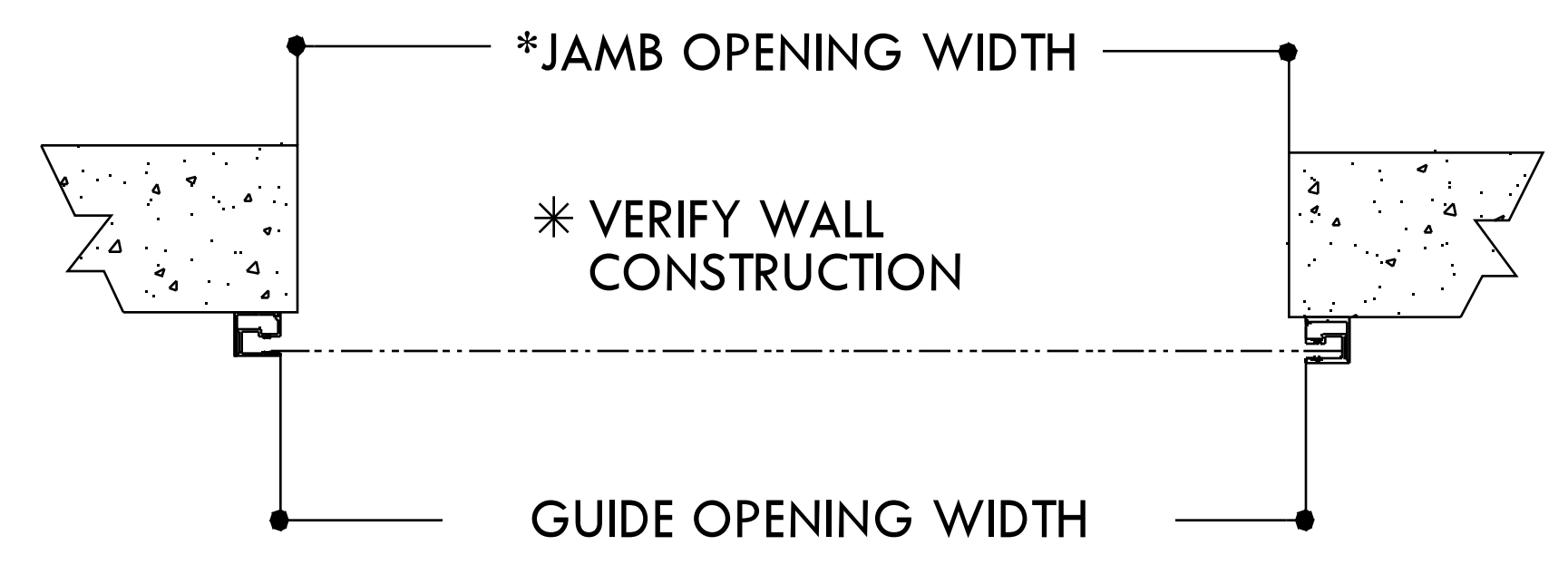
VERIFIED BY: _____ ON _____

MAKE	HAND	ARCH. MARK	BEST DOOR
MAKE1 MAKE2 MAKE3 MAKE4	AS SHOWN		
OPMK1 OPMK2 OPMK3 OPMK4	OPPOSITE		
3	REVBY3		
2	REVBY2		
1	REVBY1		
	BY1		
NO.	BY		

NOTES:

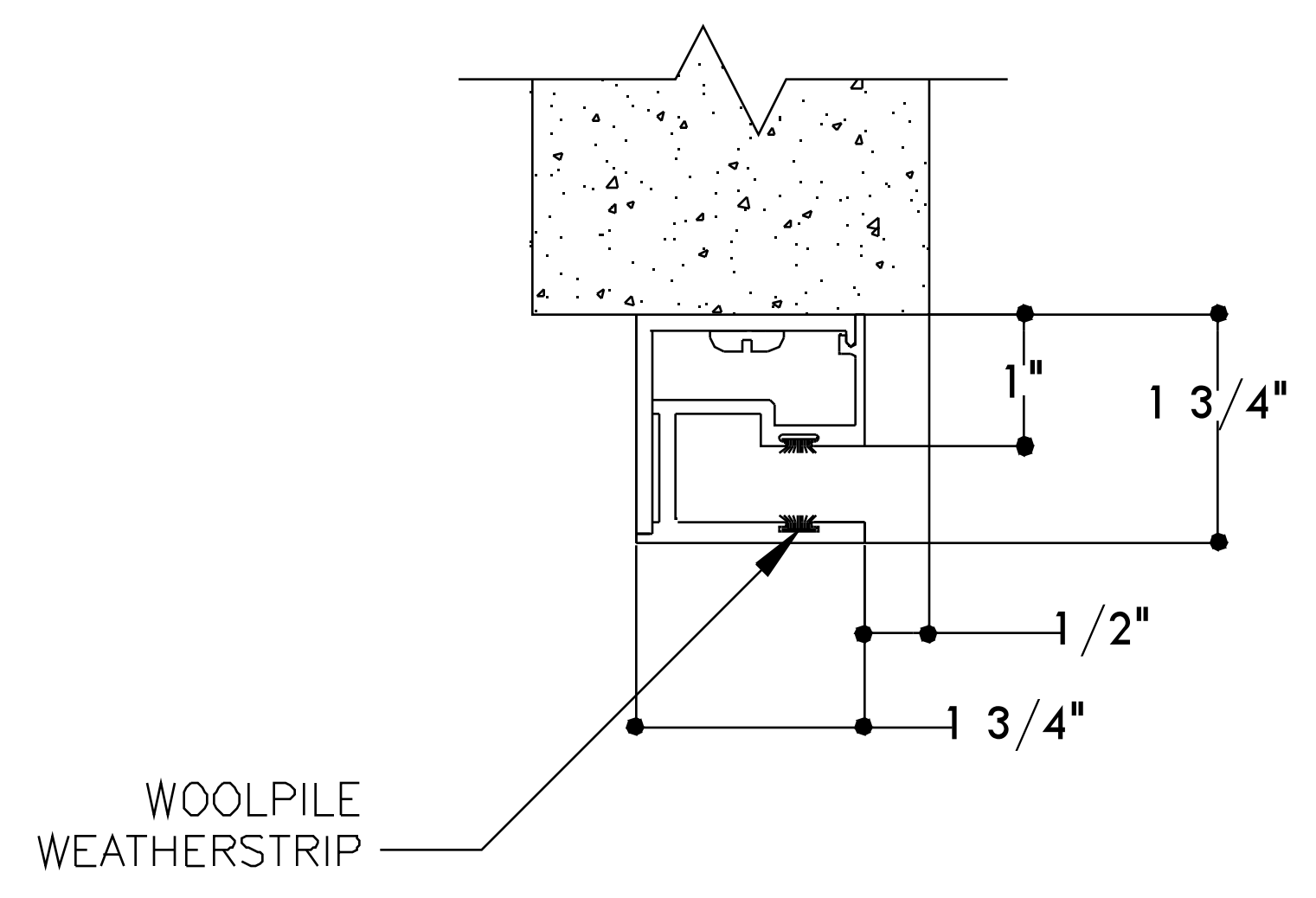
1. THIS DRAWING COVERS GENERAL CONDITIONS, DIMS, AND SPECIFICATIONS ONLY. DO NOT USE FOR INSTALLATION PURPOSES, INSTALLATION INSTRUCTIONS AND DIMENSIONS ARE INCLUDED WITH SHIPMENT.
2. CONSULT FACTORY FOR WIND LOAD CALCULATION

DIMENSIONS AND CLEARANCES AS NOTED BY ASTERISK (*) MUST BE FIELD CHECKED.



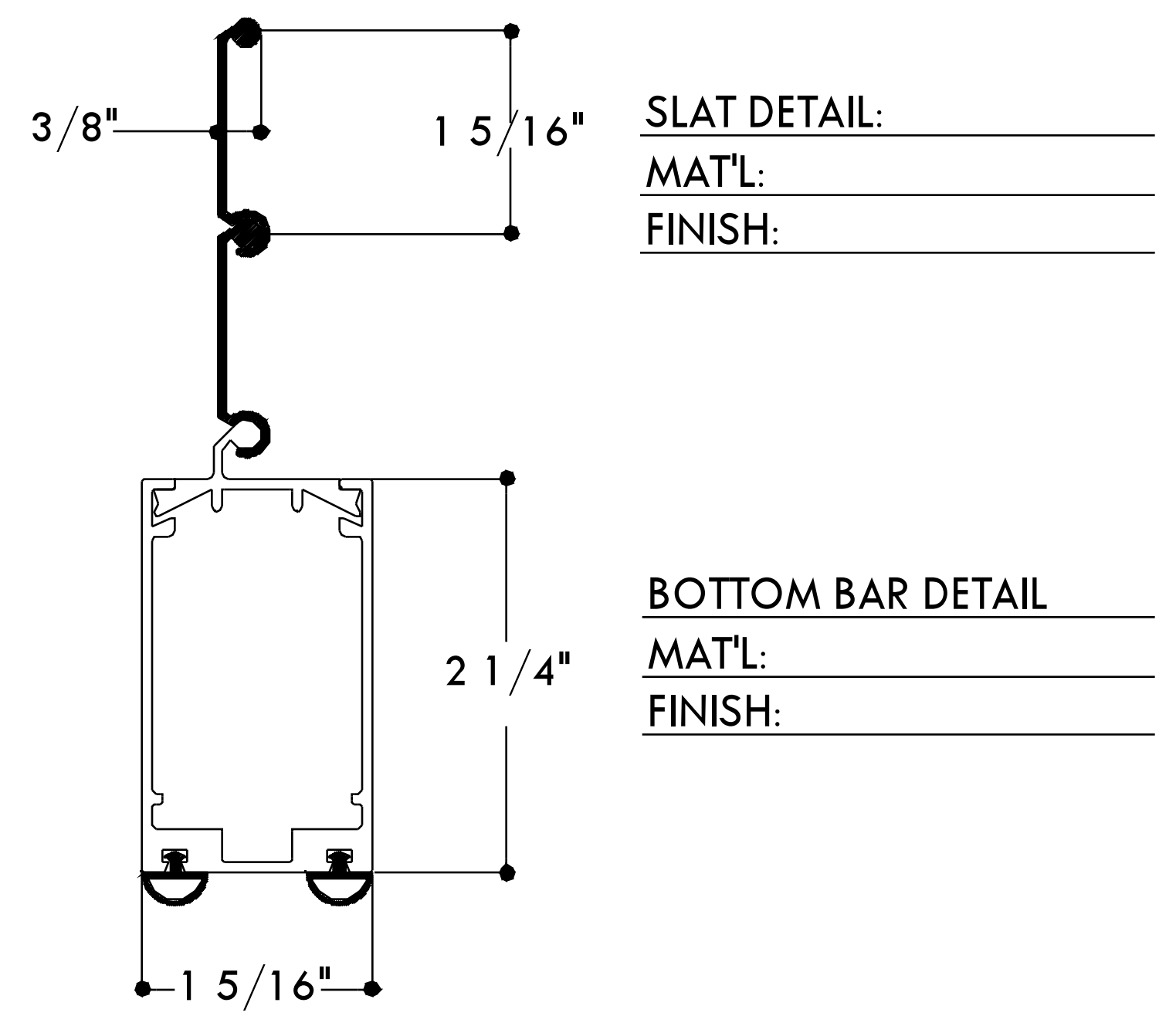
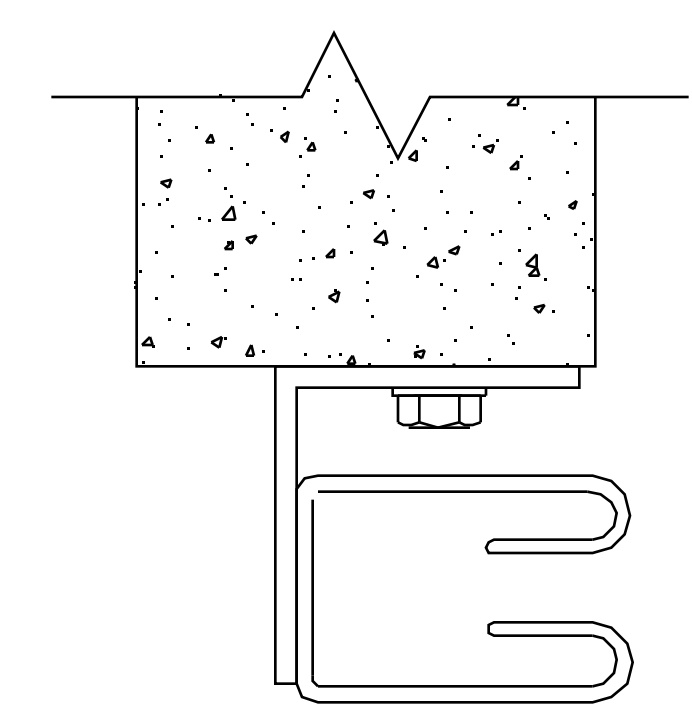
OPTION 1

GUIDE DETAIL
 MAT'L: _____
 FINISH: _____



OPTION 2

GUIDE DETAIL
 MAT'L: _____
 FINISH: _____



COUNTER DOOR

PUSH UP

FACE MOUNTED