

BEST ROLLING DOORS, INC.

9780 N.W. 79th Street
Hialeah Gardens, FL 33016
Phone: (305) 698-3550, Fax: (305) 698-3552

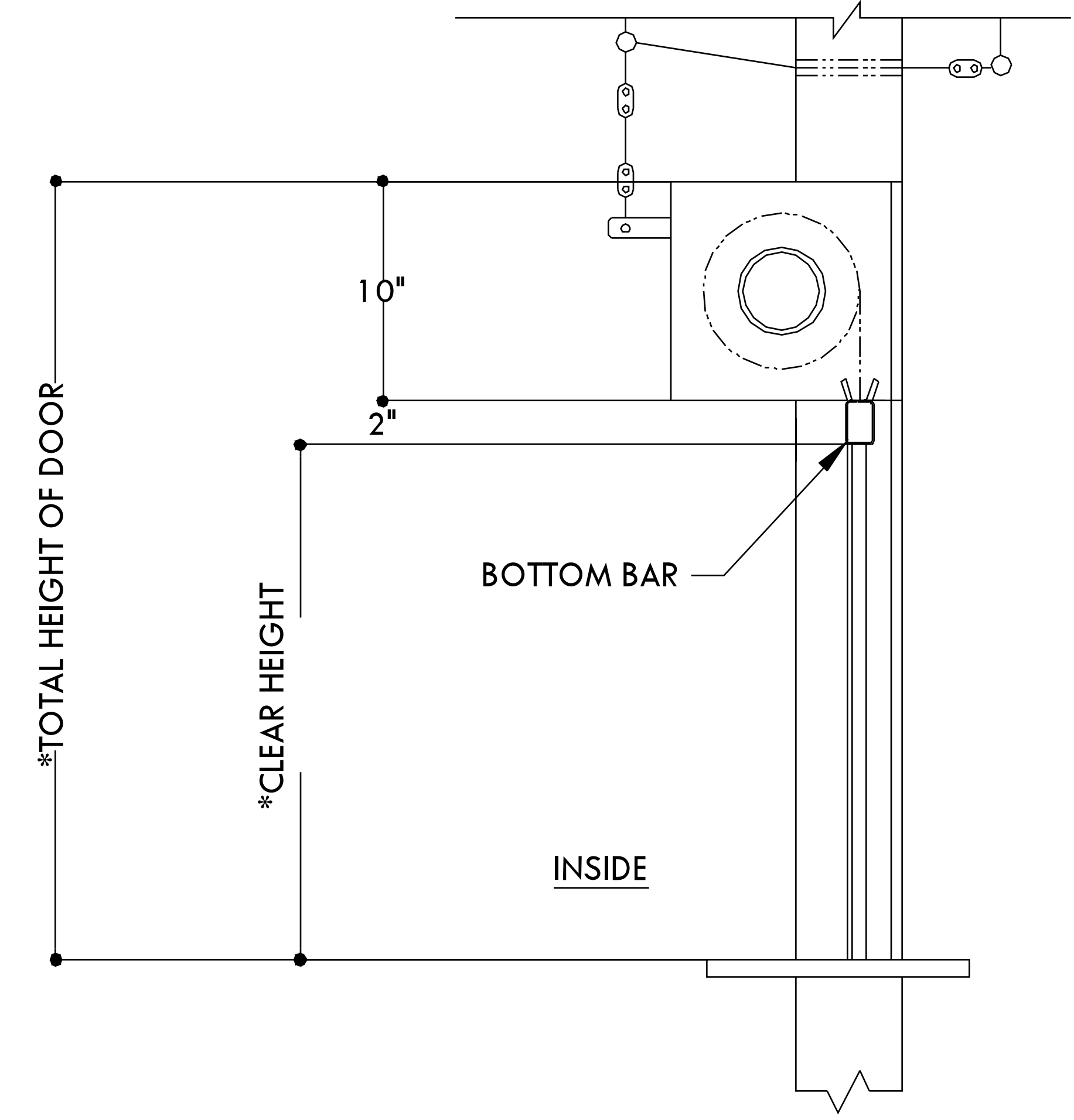
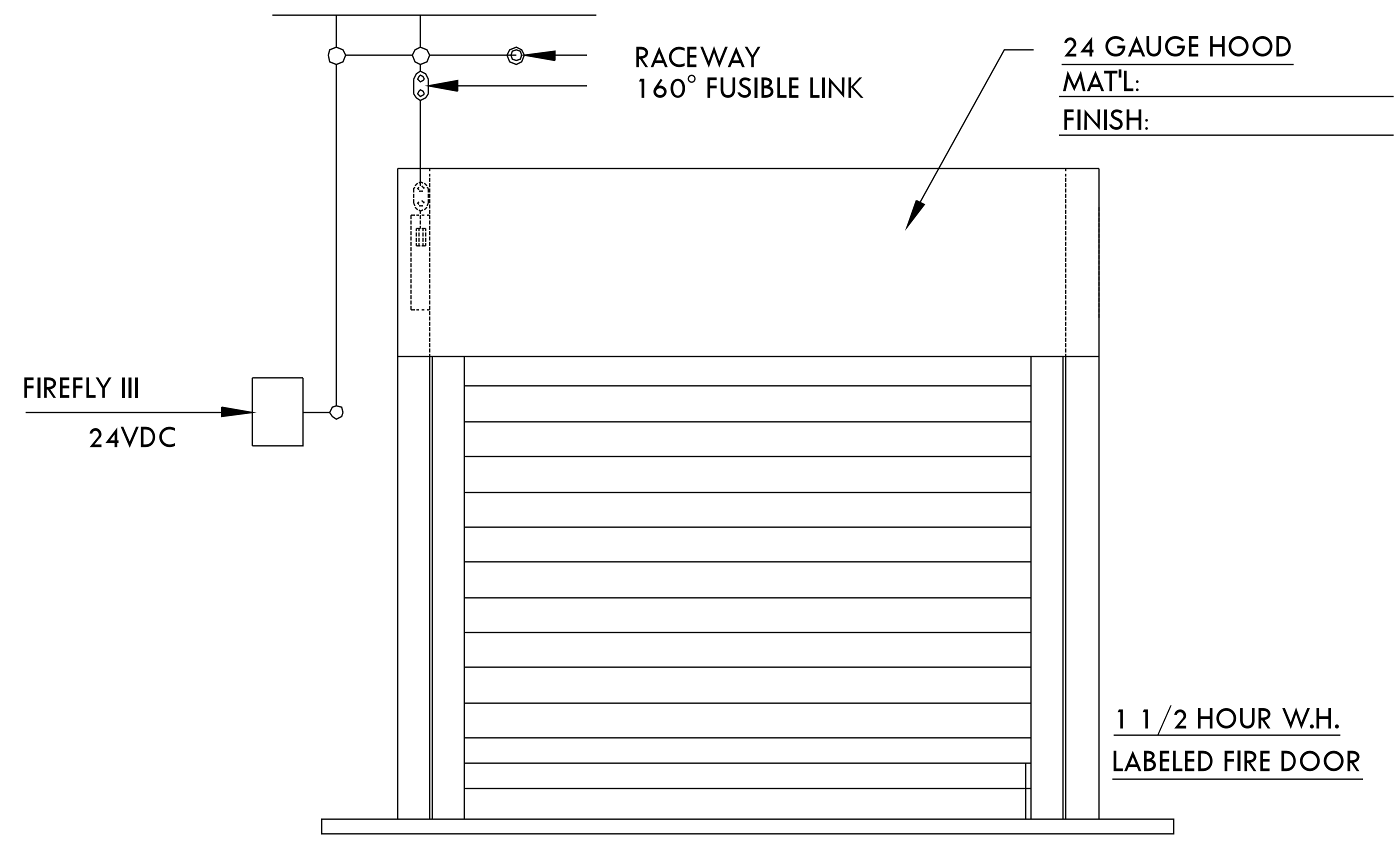
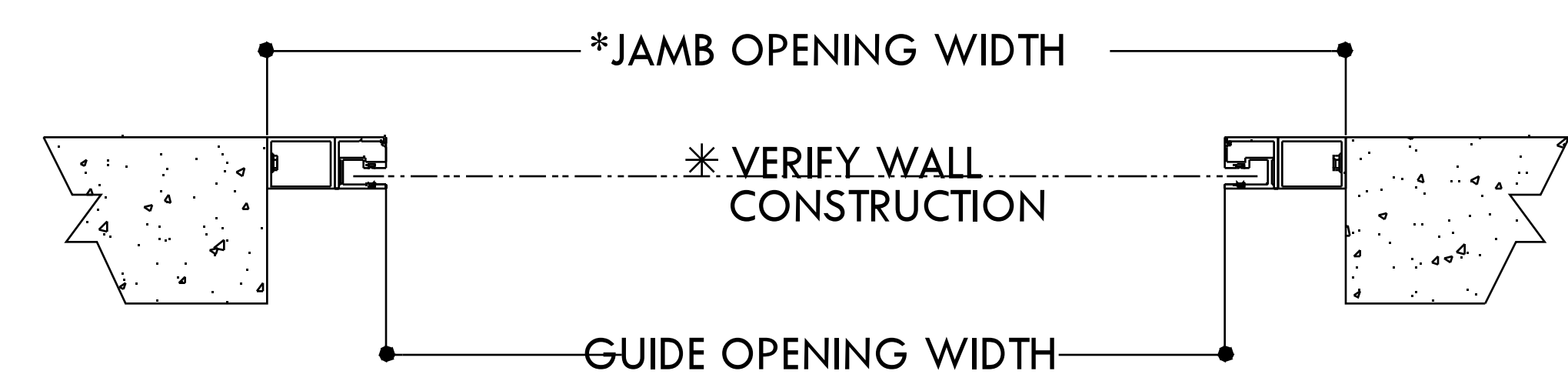
JOB: _____
 CONTRACTOR: _____
 ARCHITECT: _____
 DISTRIBUTOR: _____
 DRAWING NO. _____ # OF _____

VERIFIED BY: _____ ON _____

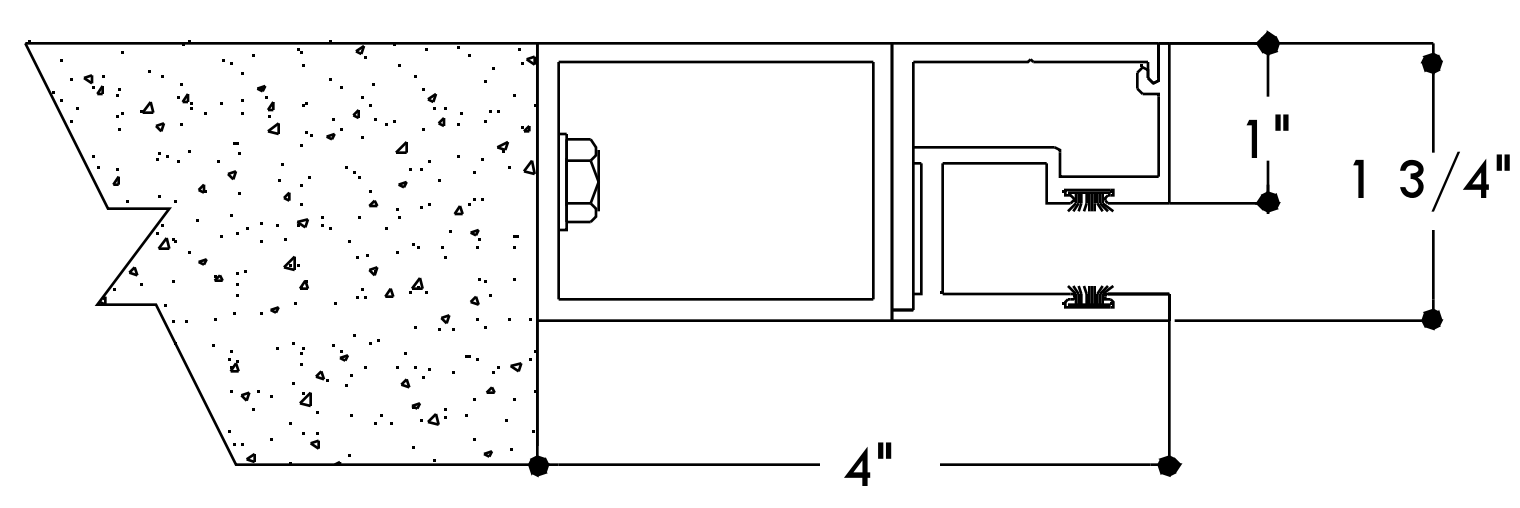
MAKE	HAND	ARCH. MARK	BEST DOOR
MAKE1			
MAKE2			
MAKE3			
MAKE4			
OPMK1			
OPMK2			
OPMK3			
OPMK4			
△3			
△2			
△1			
NO.			

NOTES:
 1. THIS DRAWING COVERS GENERAL CONDITIONS, DIMS, AND SPECIFICATIONS ONLY. DO NOT USE FOR INSTALLATION PURPOSES, INSTALLATION INSTRUCTIONS AND DIMENSIONS ARE INCLUDED WITH SHIPMENT.
 2. CONSULT FACTORY FOR WIND LOAD CALCULATION

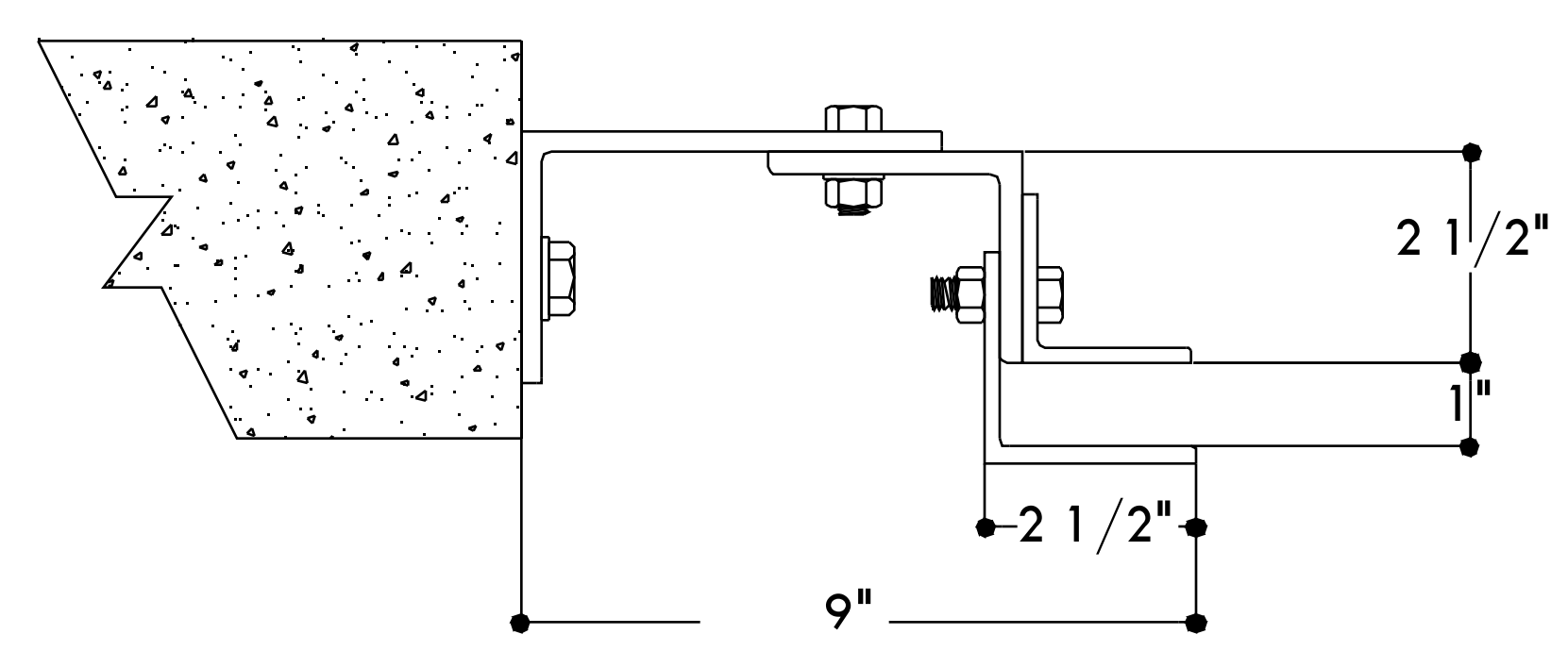
DIMENSIONS AND CLEARANCES AS NOTED BY ASTERISK (*) MUST BE FIELD CHECKED.



OPTION 1
 GUIDE DETAIL
 MAT'L: _____
 FINISH: _____



OPTION 2
 GUIDE DETAIL
 MAT'L: _____
 FINISH: _____



3/8" 1 5/16" SLAT DETAIL:
 MAT'L: _____
 FINISH: _____

2 1/4" 2 1/4" 1 5/16" BOTTOM BAR DETAIL
 MAT'L: _____
 FINISH: _____

COUNTER FIRE DOOR

PUSH-UP

BETWEEN JAMB