

BEST ROLLING DOORS, INC.

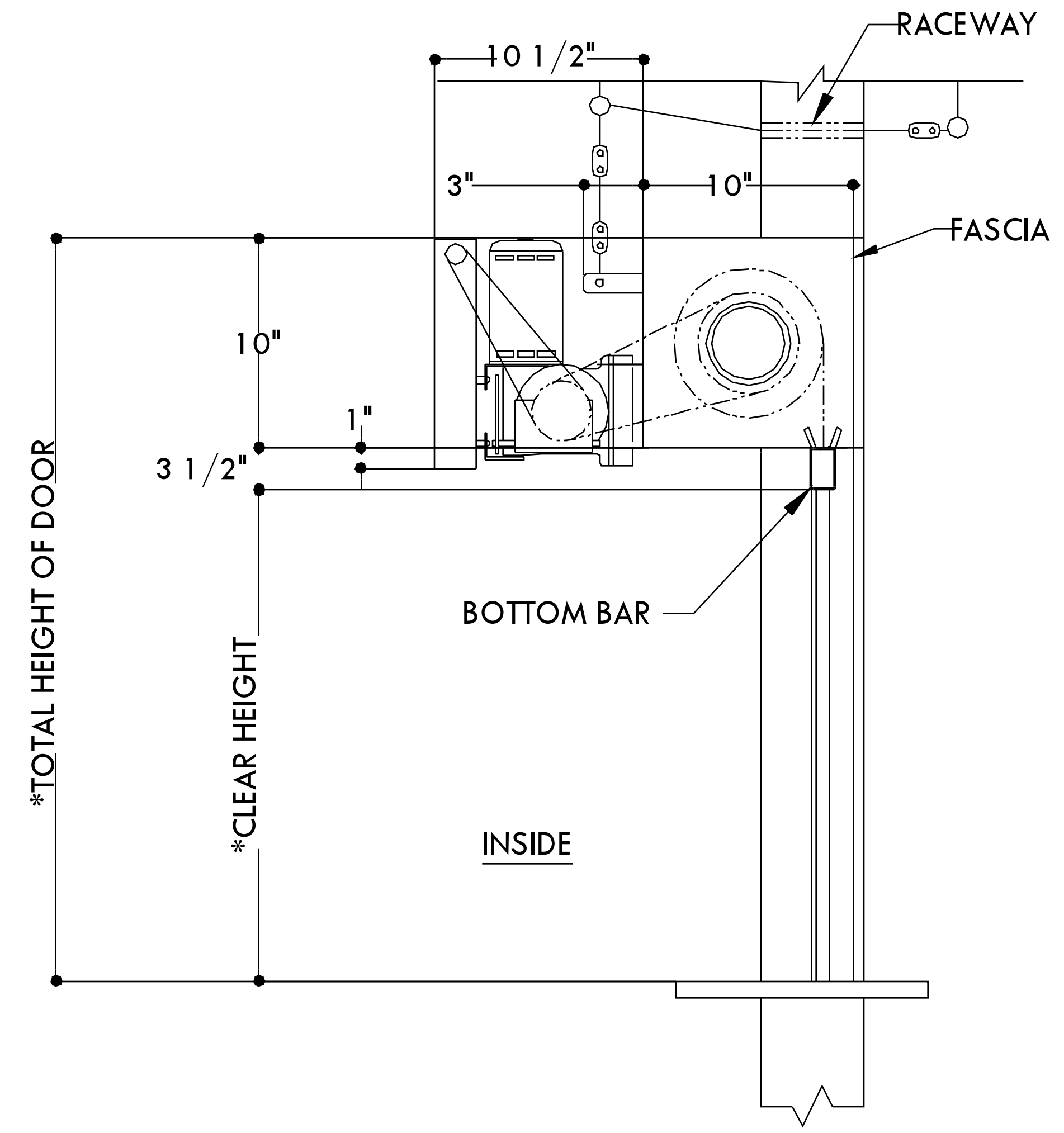
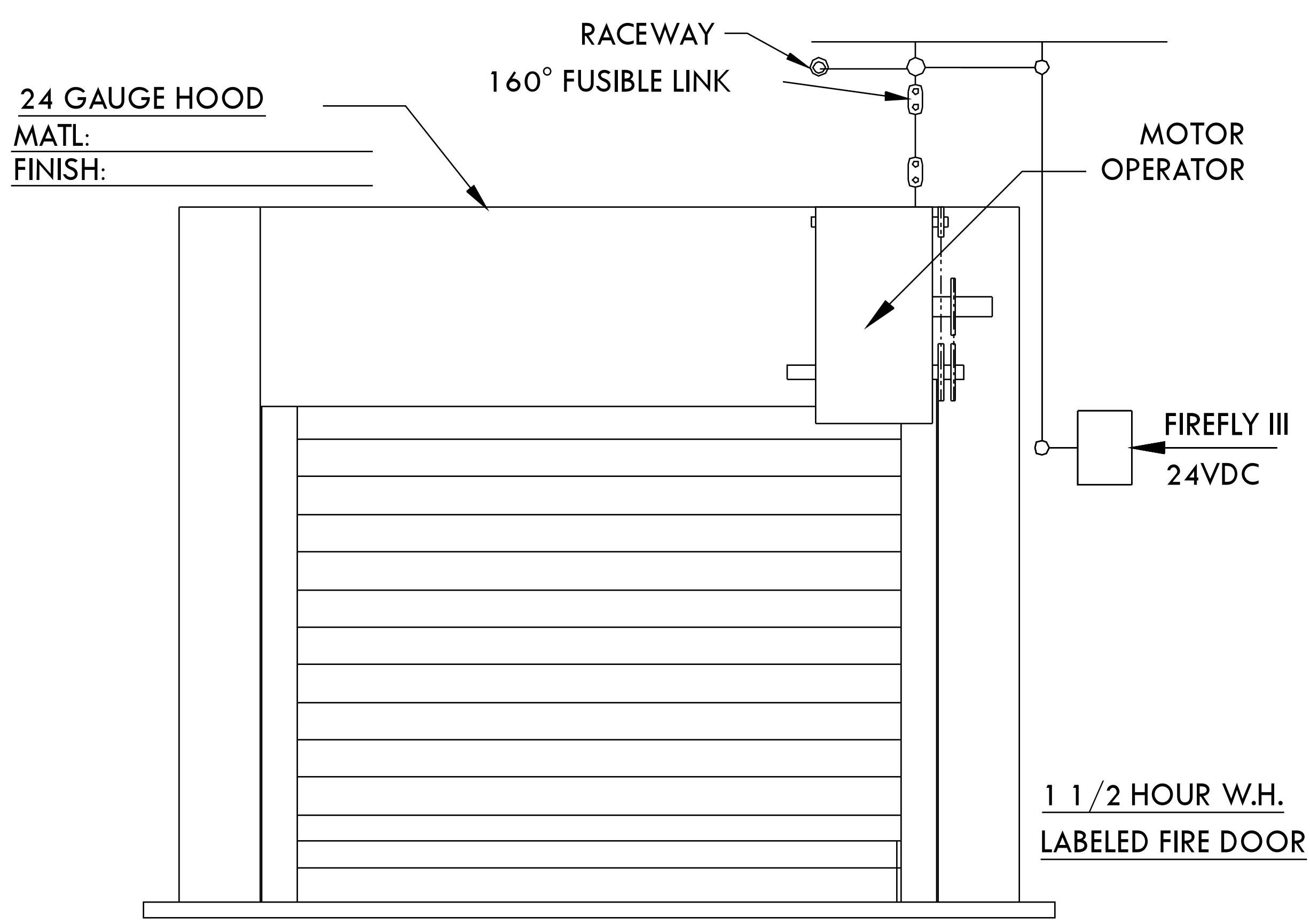
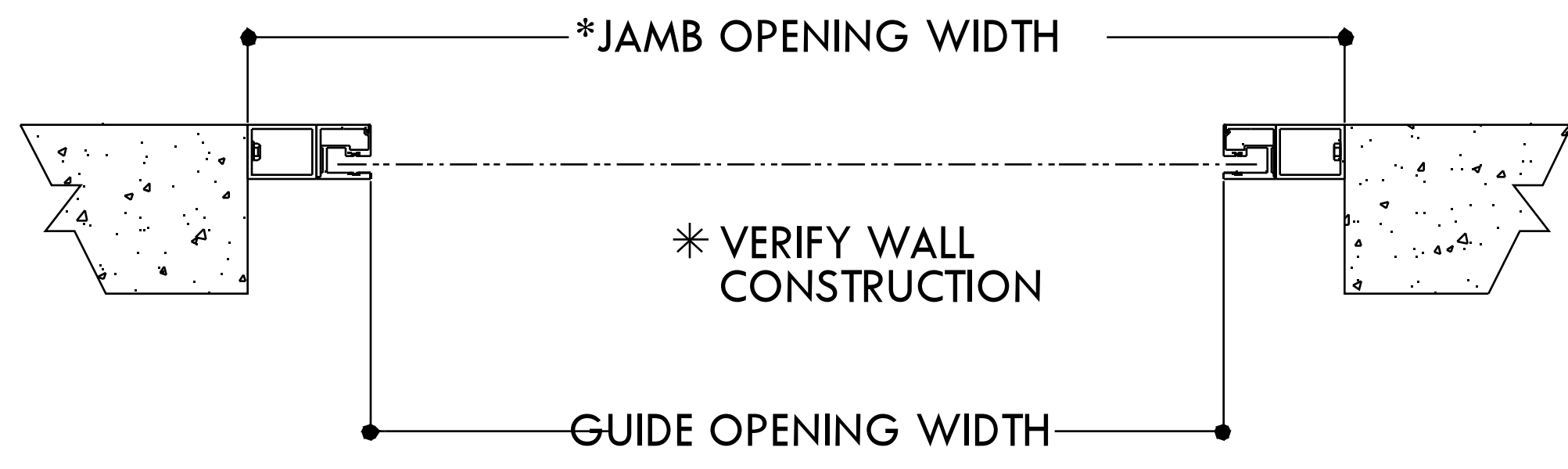
JOB: \_\_\_\_\_  
 CONTRACTOR: \_\_\_\_\_  
 ARCHITECT: \_\_\_\_\_  
 DISTRIBUTOR: \_\_\_\_\_  
 DRAWING NO. \_\_\_\_\_ # OF \_\_\_\_\_

VERIFIED BY: \_\_\_\_\_ ON \_\_\_\_\_

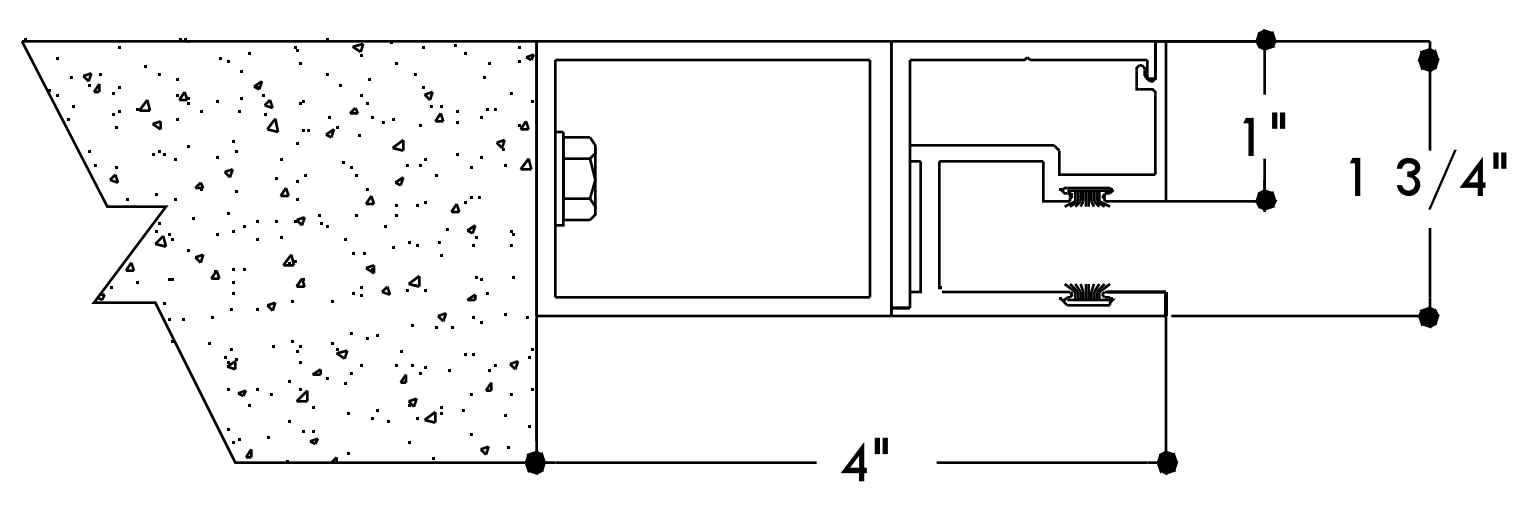
MAKE	HAND	ARCH. MARK	BEST DOOR
MAKE1			
MAKE2			
MAKE3			
MAKE4			
OPMK1			
OPMK2			
OPMK3			
OPMK4			
3			
2			
1			
NO.			

NOTES:  
 1. THIS DRAWING COVERS GENERAL CONDITIONS, DIMS, AND SPECIFICATIONS ONLY. DO NOT USE FOR INSTALLATION PURPOSES, INSTALLATION INSTRUCTIONS AND DIMENSIONS ARE INCLUDED WITH SHIPMENT.  
 2. CONSULT FACTORY FOR WIND LOAD CALCULATION

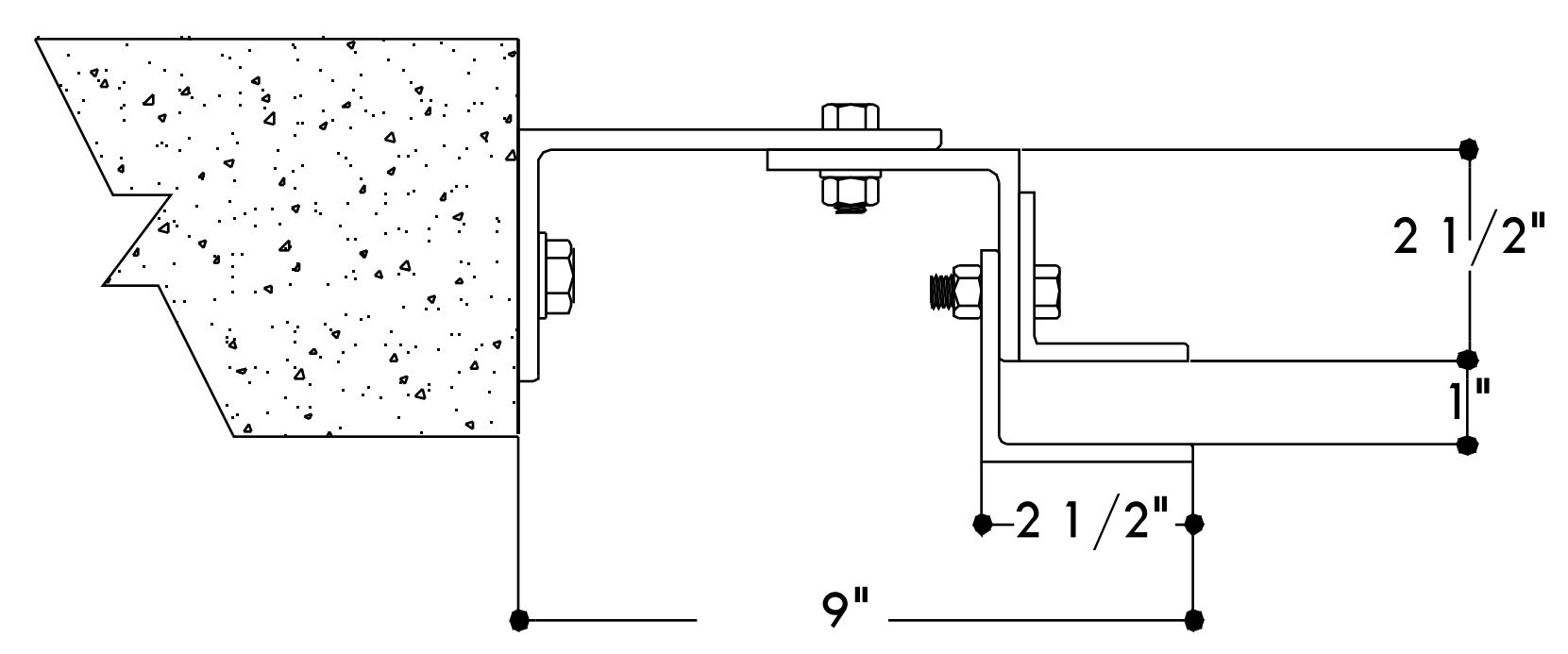
DIMENSIONS AND CLEARANCES AS NOTED BY ASTERISK (\*) MUST BE FIELD CHECKED.



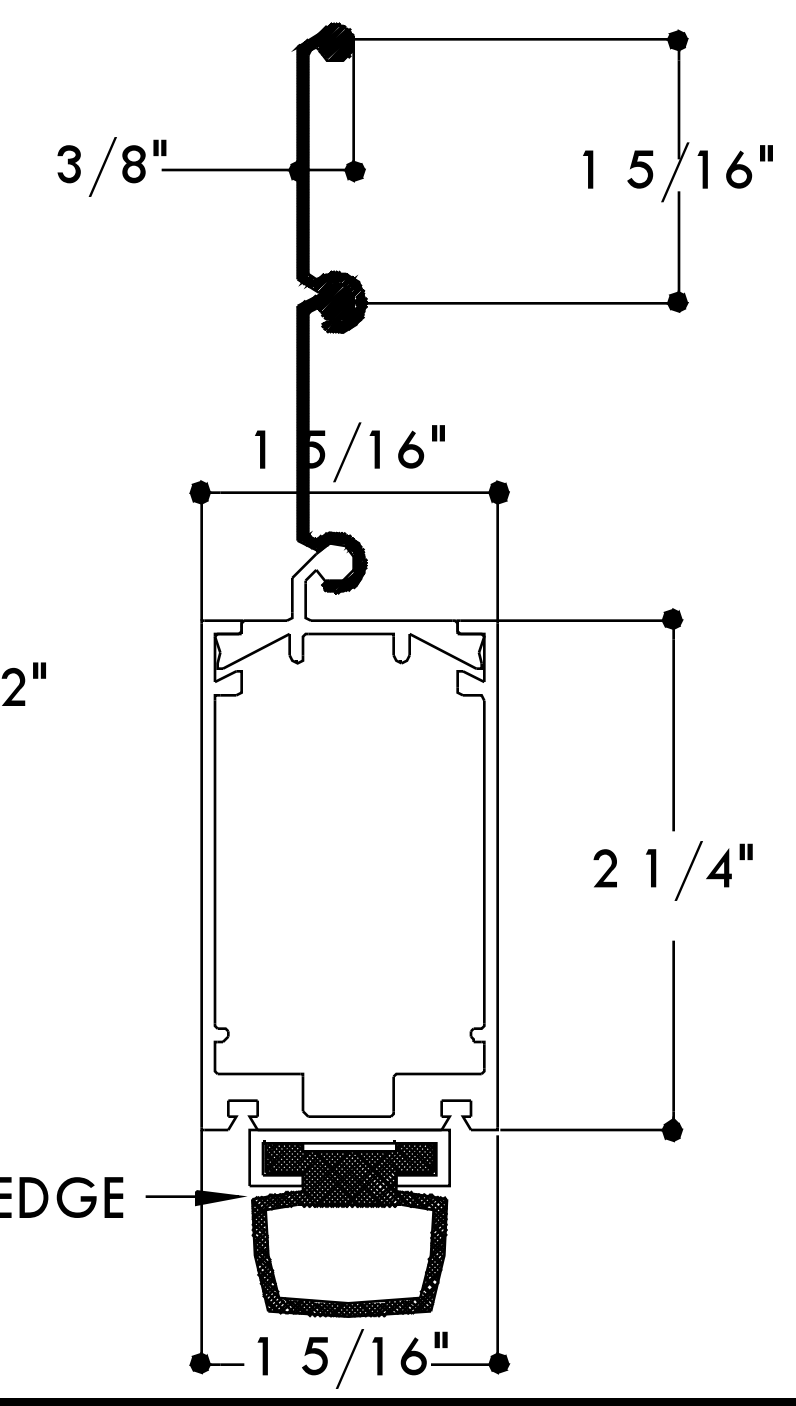
OPTION 1  
 GUIDE DETAIL  
 MAT'L: \_\_\_\_\_  
 FINISH: \_\_\_\_\_



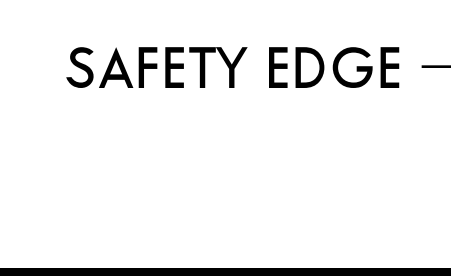
OPTION 2  
 GUIDE DETAIL  
 MAT'L: \_\_\_\_\_  
 FINISH: \_\_\_\_\_



SLAT DETAIL:  
 MAT'L: \_\_\_\_\_  
 FINISH: \_\_\_\_\_



BOTTOM BAR DETAIL  
 MAT'L: \_\_\_\_\_  
 FINISH: \_\_\_\_\_



COUNTER FIRE DOOR

MOTOR OPERATED

BETWEEN JAMB