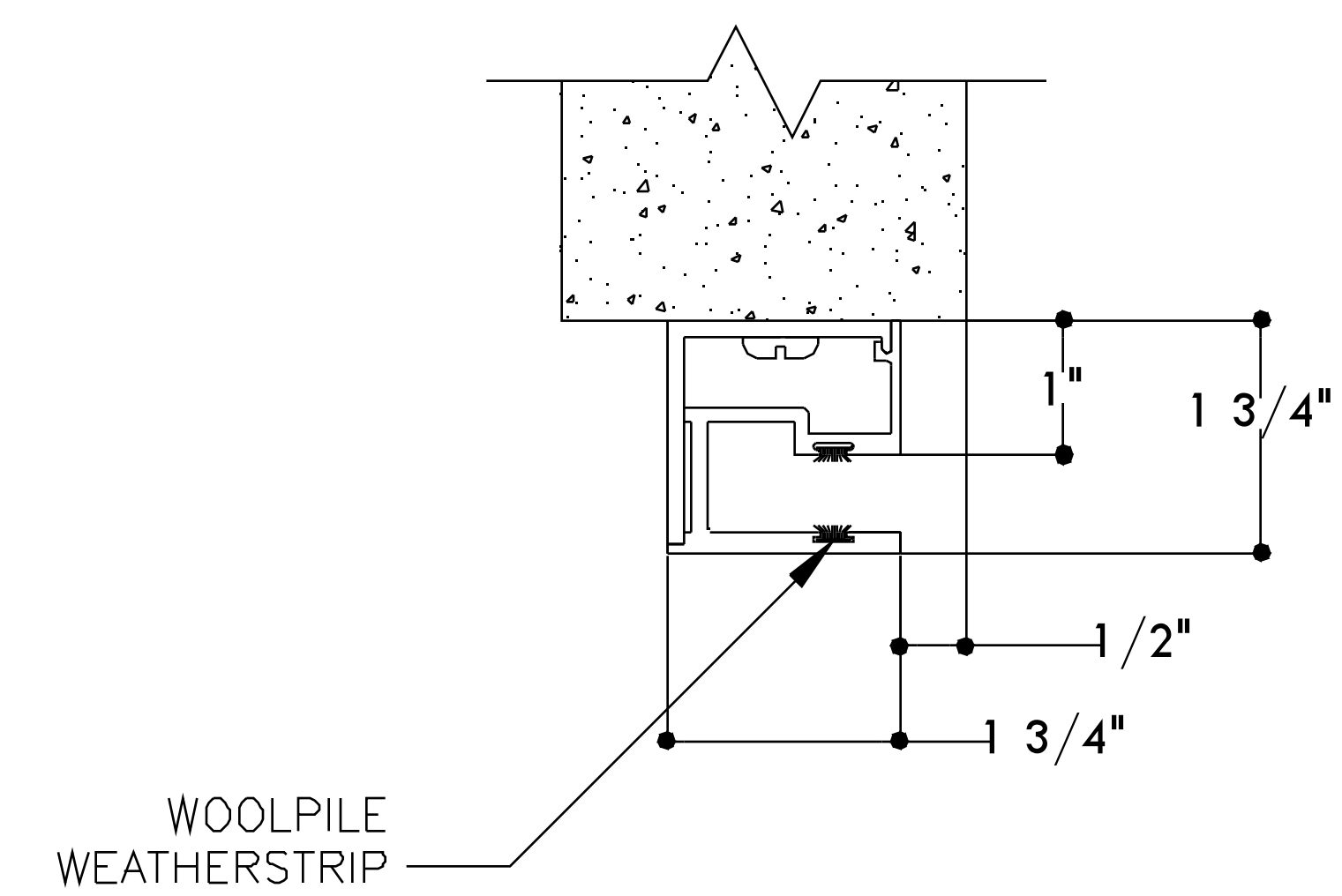


OPTION 1

GUIDE DETAIL

MAT'L: _____

FINISH: _____

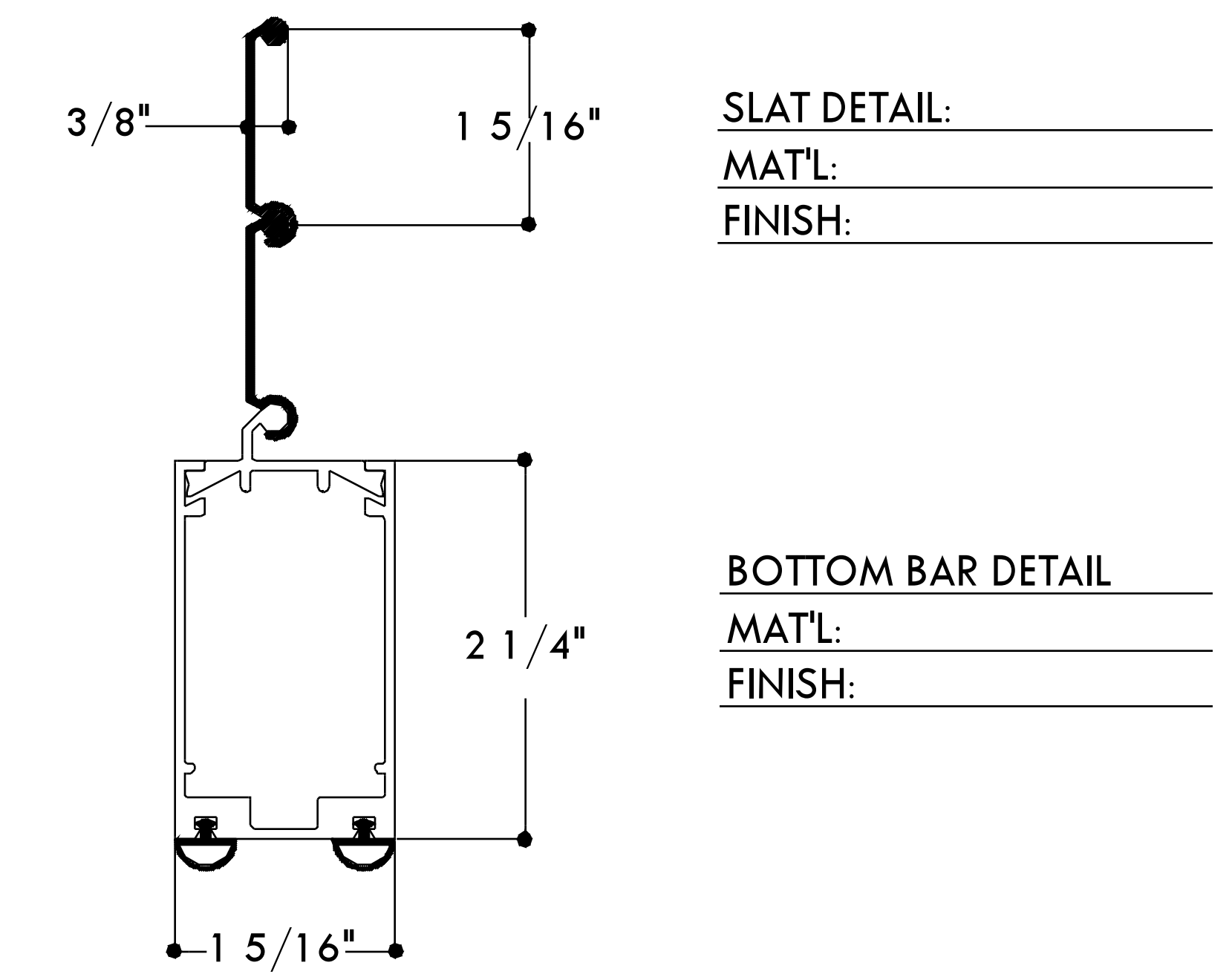
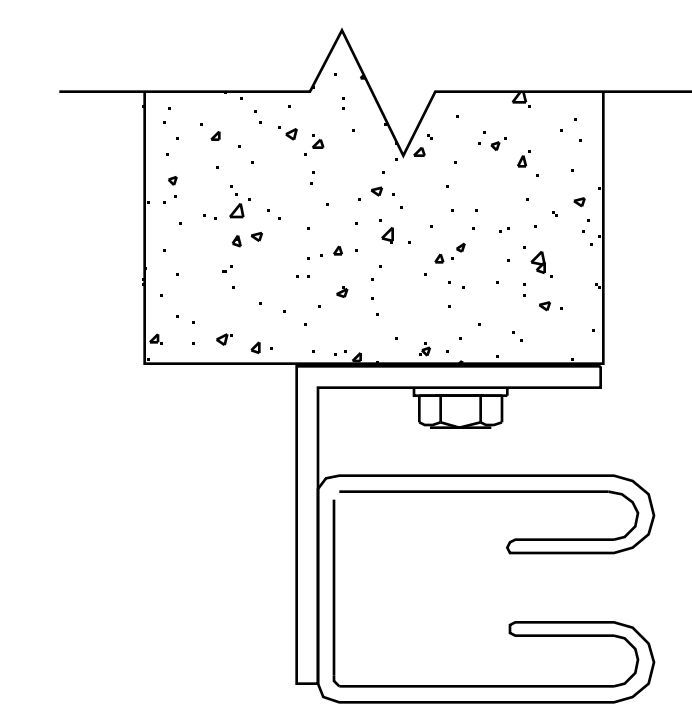


OPTION 2

GUIDE DETAIL

MAT'L: _____

FINISH: _____



JOB: _____

CONTRACTOR: _____

ARCHITECT: _____

DISTRIBUTOR: _____

DRAWING NO. _____ # OF _____

VERIFIED BY: _____ ON _____

| MAKE | HAND | ARCH. MARK | BEST DOOR |
|-------|------|------------|-----------|
| MAKE1 | | | |
| MAKE2 | | | |
| MAKE3 | | | |
| MAKE4 | | | |
| OPMK1 | | | |
| OPMK2 | | | |
| OPMK3 | | | |
| OPMK4 | | | |
| 3 | | | |
| 2 | | | |
| 1 | | | |
| NO. | | | |

- NOTES:
1. THIS DRAWING COVERS GENERAL CONDITIONS, DIMS, AND SPECIFICATIONS ONLY. DO NOT USE FOR INSTALLATION PURPOSES, INSTALLATION INSTRUCTIONS AND DIMENSIONS ARE INCLUDED WITH SHIPMENT.
 2. CONSULT FACTORY FOR WIND LOAD CALCULATION

DIMENSIONS AND CLEARANCES AS NOTED BY ASTERISK (*) MUST BE FIELD CHECKED.

COUNTER FIRE DOOR

CRANK OPERATED

FACE MOUNTED