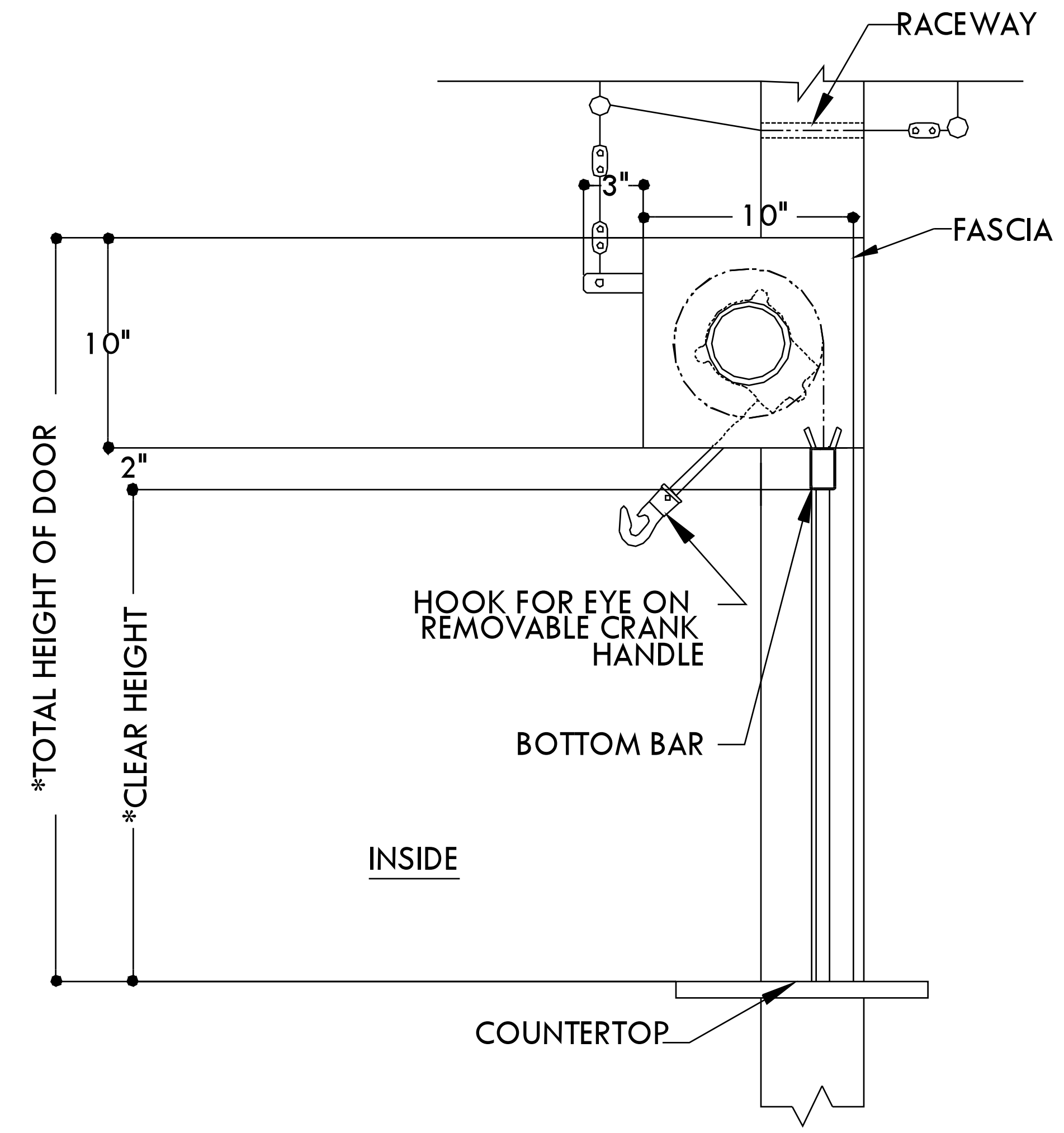
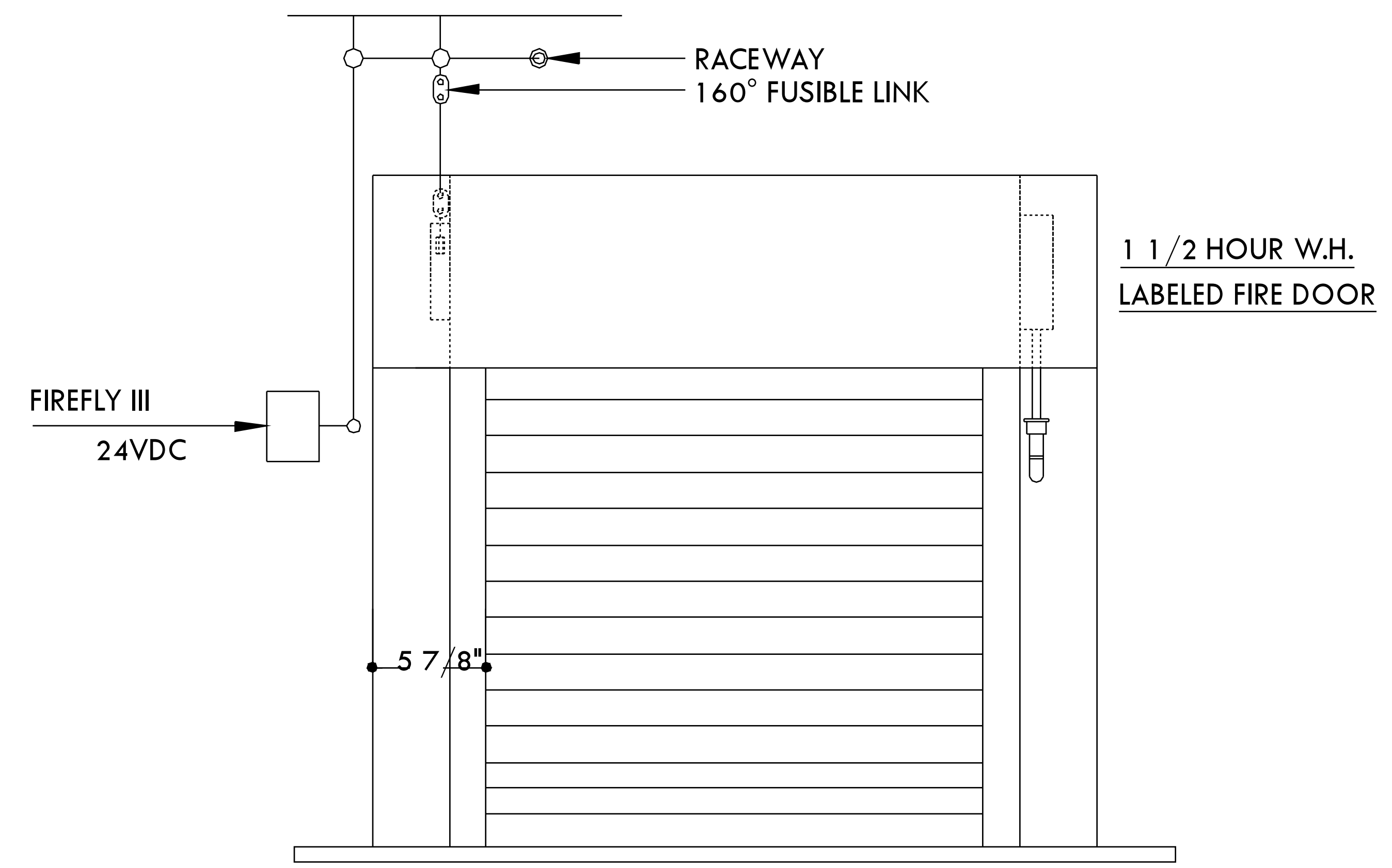
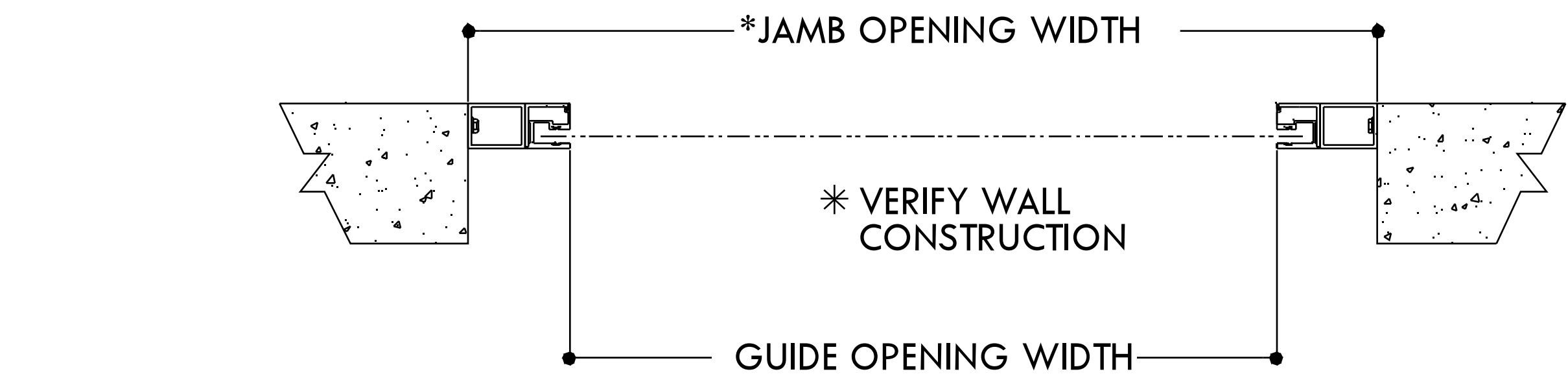


BEST ROLLING DOORS, INC.

9780 N.W. 79th Street
Hialeah Gardens, FL 33016
Phone: (305) 698-3550, Fax: (305) 698-3552

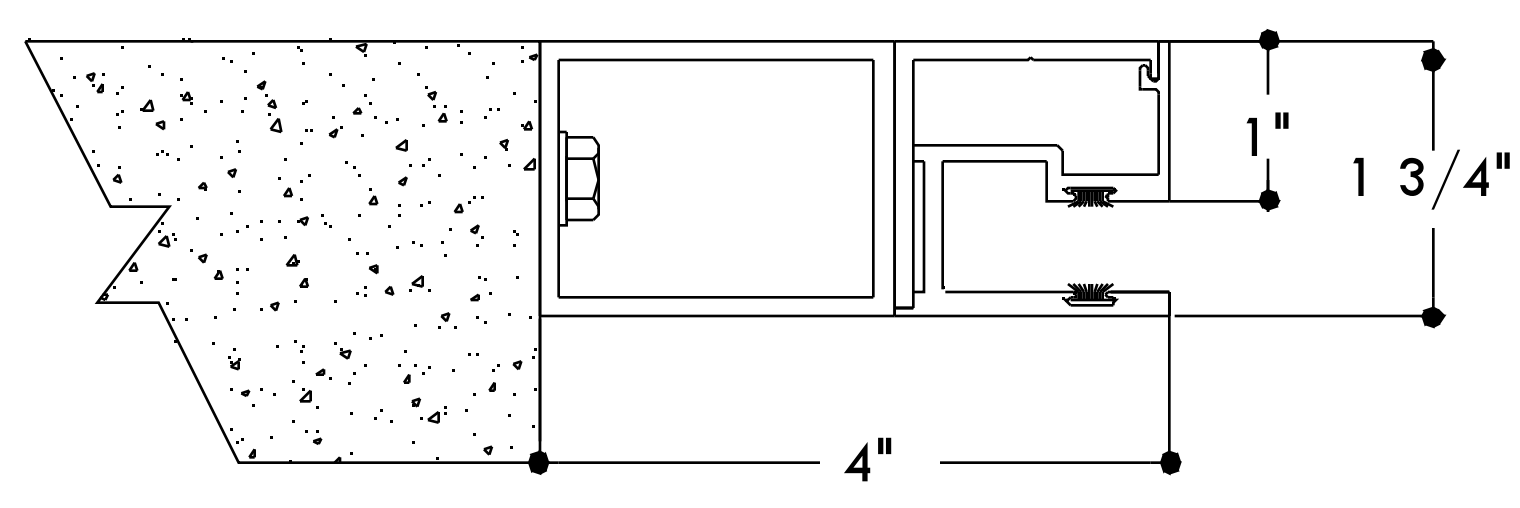


OPTION 1

GUIDE DETAIL

MAT'L: _____

FINISH: _____

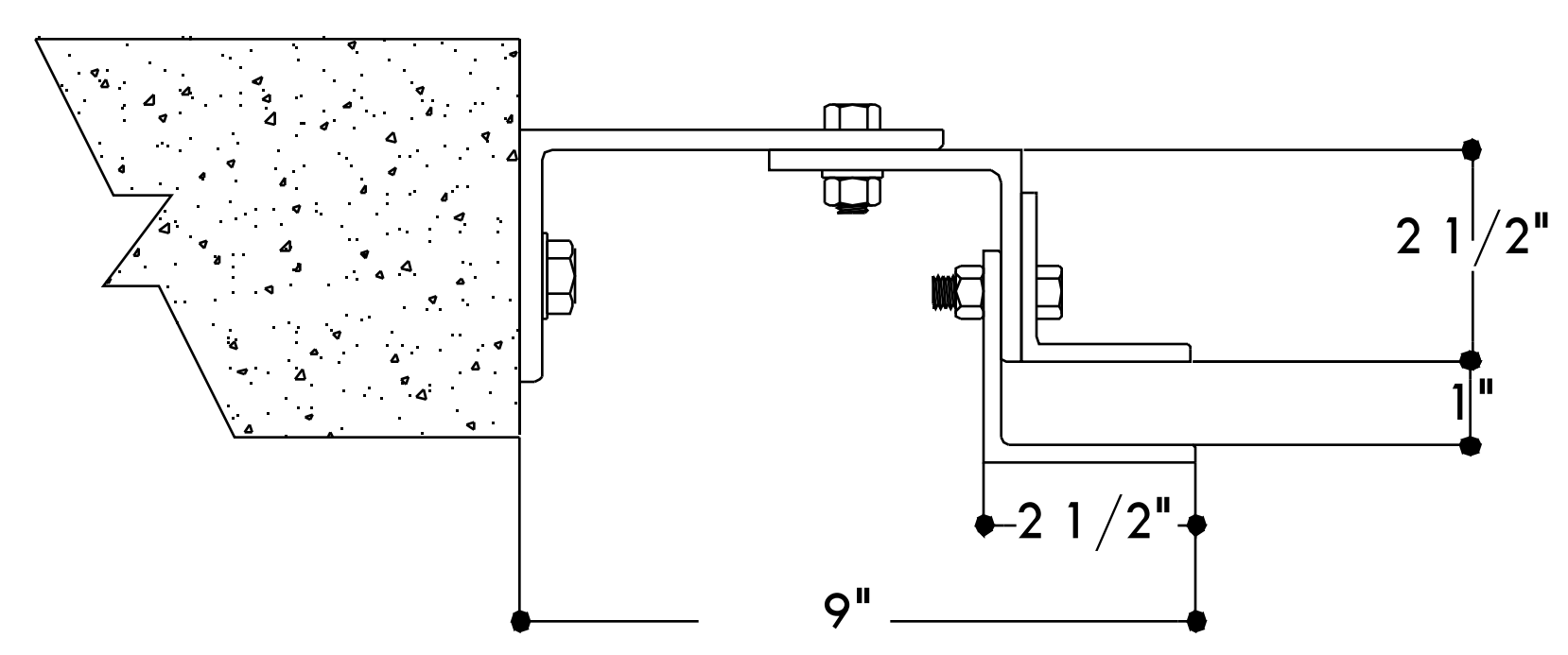


OPTION 2

GUIDE DETAIL

MAT'L: _____

FINISH: _____



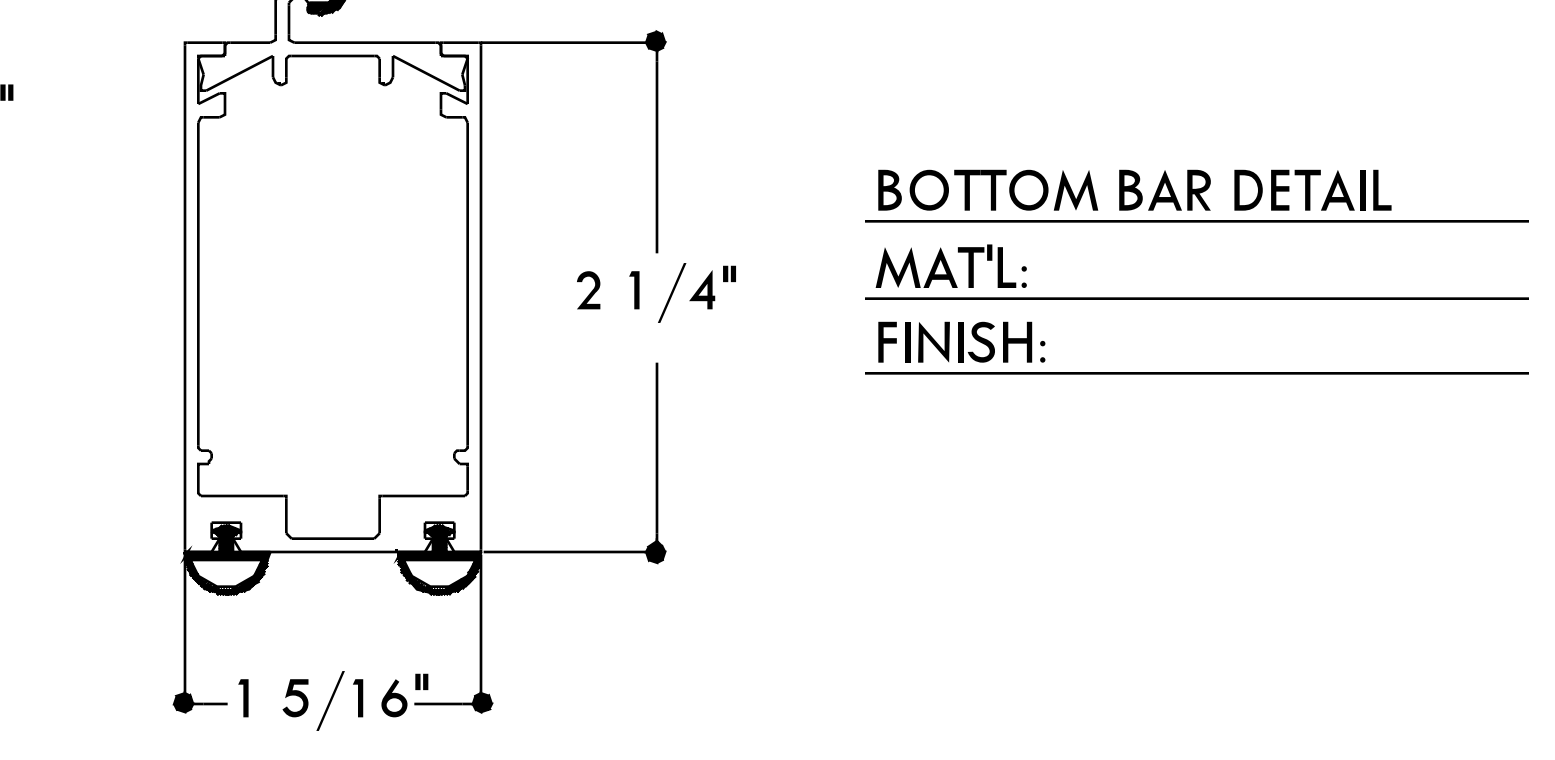
3/8"

1 5/16"

SLAT DETAIL:

MAT'L: _____

FINISH: _____



JOB: _____

CONTRACTOR: _____

ARCHITECT: _____

DISTRIBUTOR: _____

DRAWING NO. _____ # OF _____

VERIFIED BY: _____ ON _____

MAKE	HAND	ARCH. MARK	BEST DOOR
MAKE 1			
MAKE 2			
MAKE 3			
MAKE 4			
OPMK 1			
OPMK 2			
OPMK 3			
OPMK 4			
3			
2			
1			
NO.			

NOTES:

- THIS DRAWING COVERS GENERAL CONDITIONS, DIMS, AND SPECIFICATIONS ONLY. DO NOT USE FOR INSTALLATION PURPOSES, INSTALLATION INSTRUCTIONS AND DIMENSIONS ARE INCLUDED WITH SHIPMENT.
- CONSULT FACTORY FOR WIND LOAD CALCULATION

DIMENSIONS AND CLEARANCES AS NOTED BY ASTERISK (*) MUST BE FIELD CHECKED.

COUNTER DOOR

CRANK OPERATED

BETWEEN JAMB