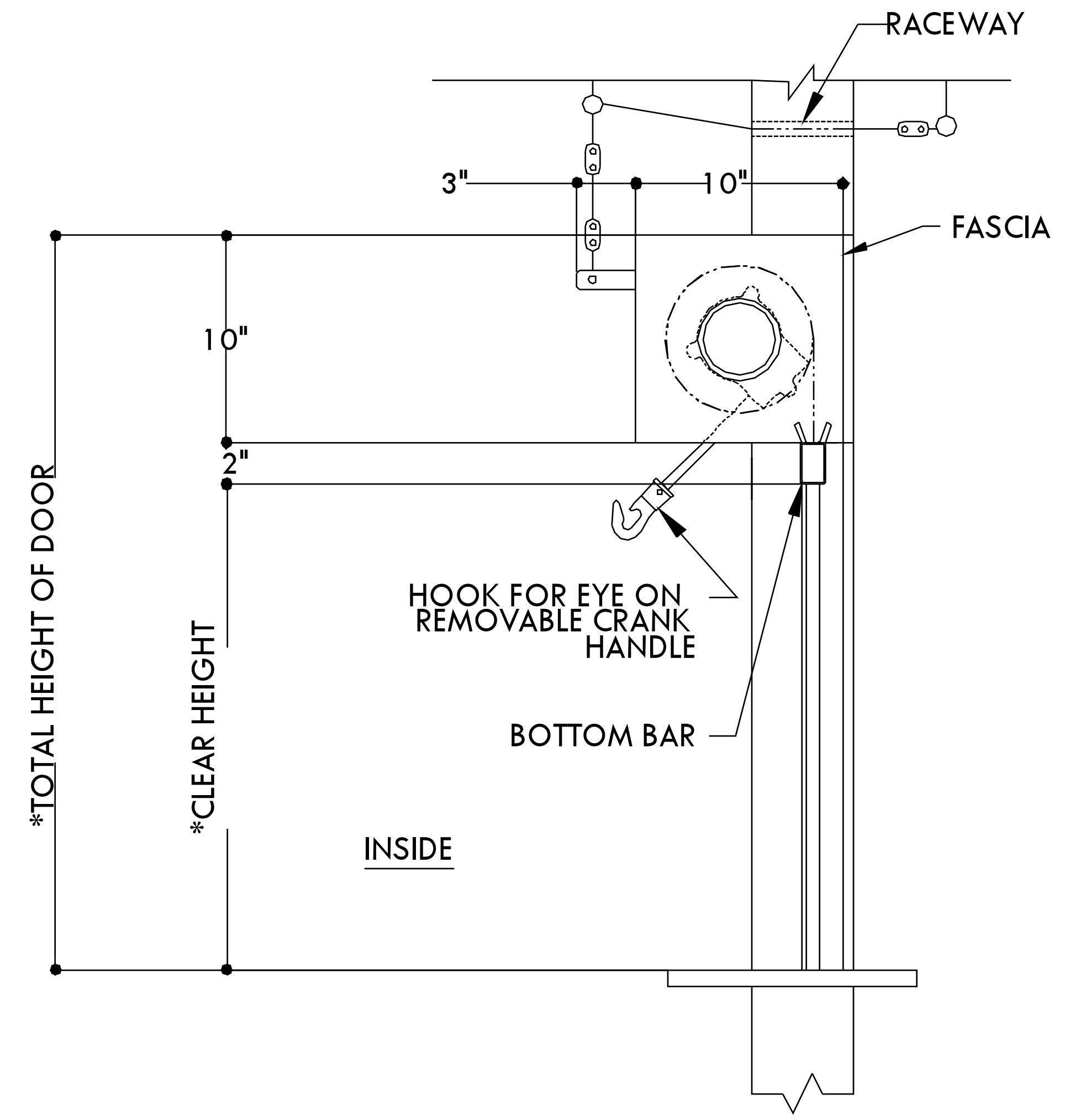
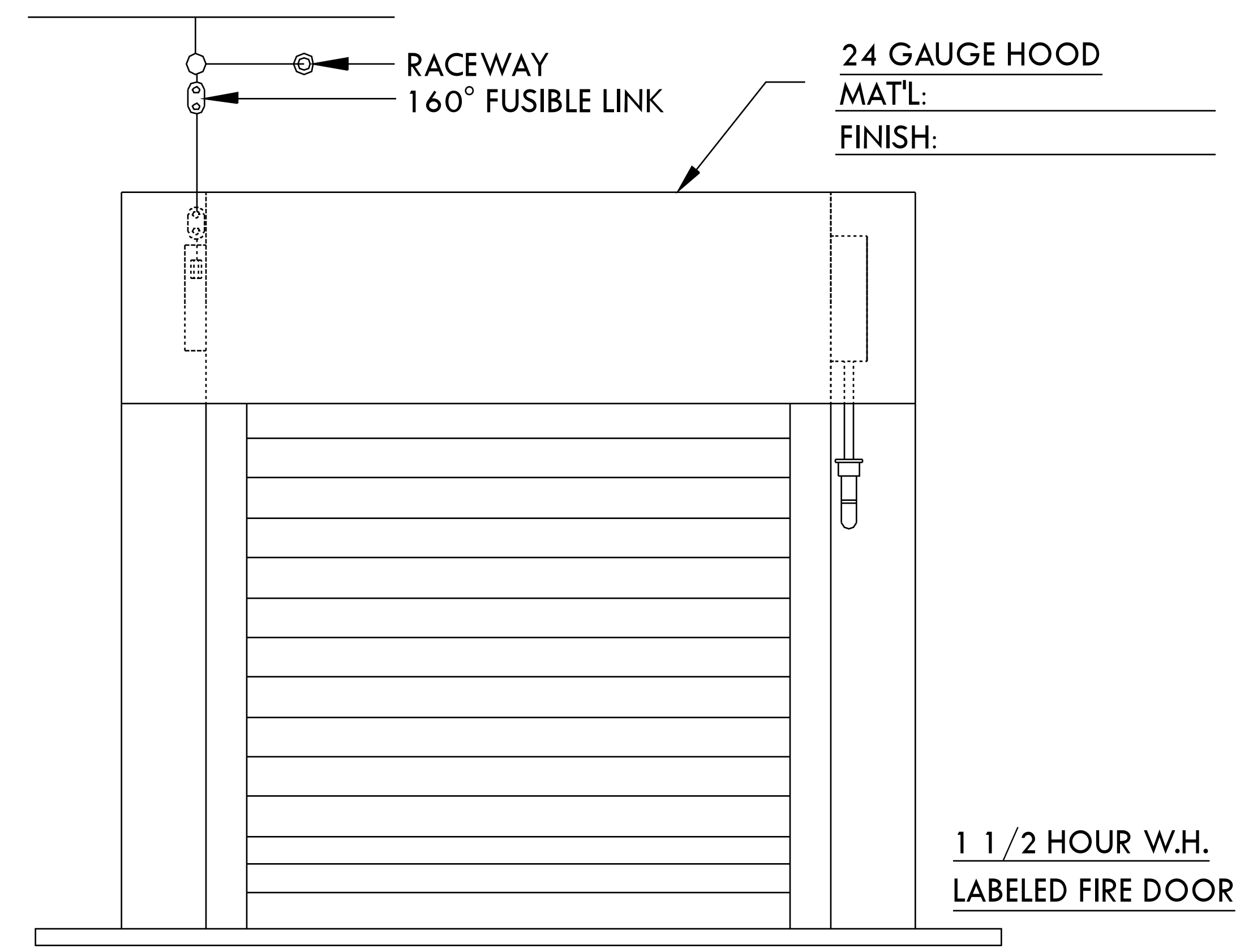
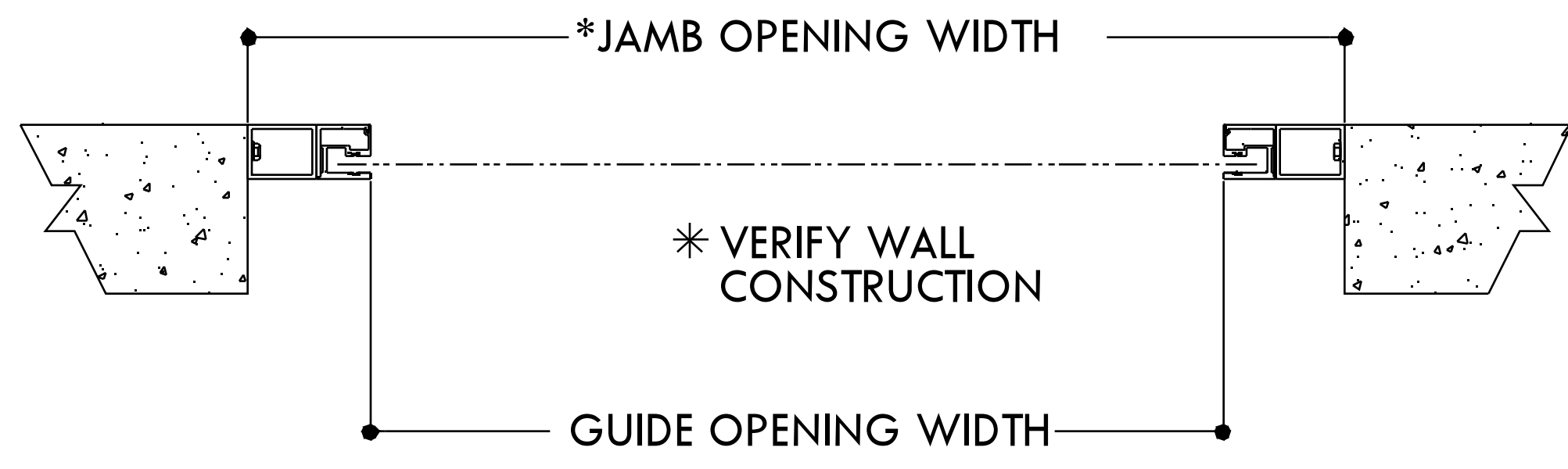
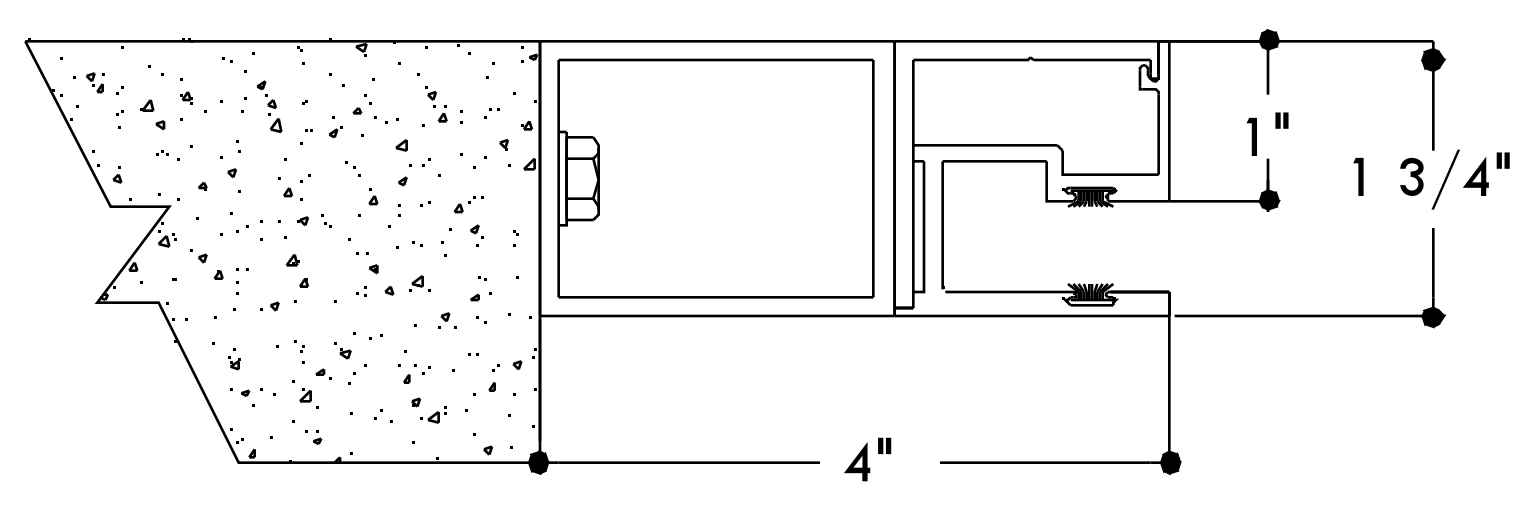


BEST ROLLING DOORS, INC.

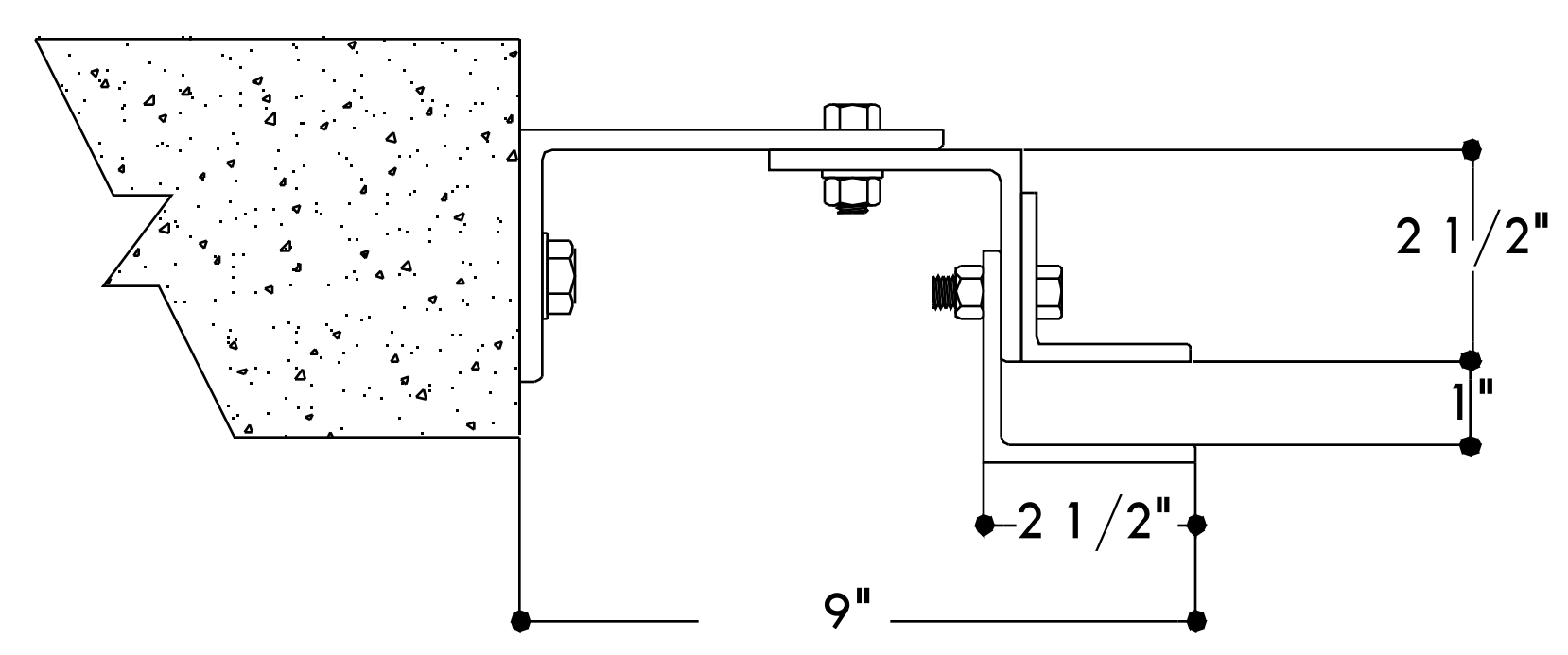
9780 N.W. 79 Street
Hialeah Gardens, FL 33016
Phone: (305) 698-3550, Fax: (305) 698-3552



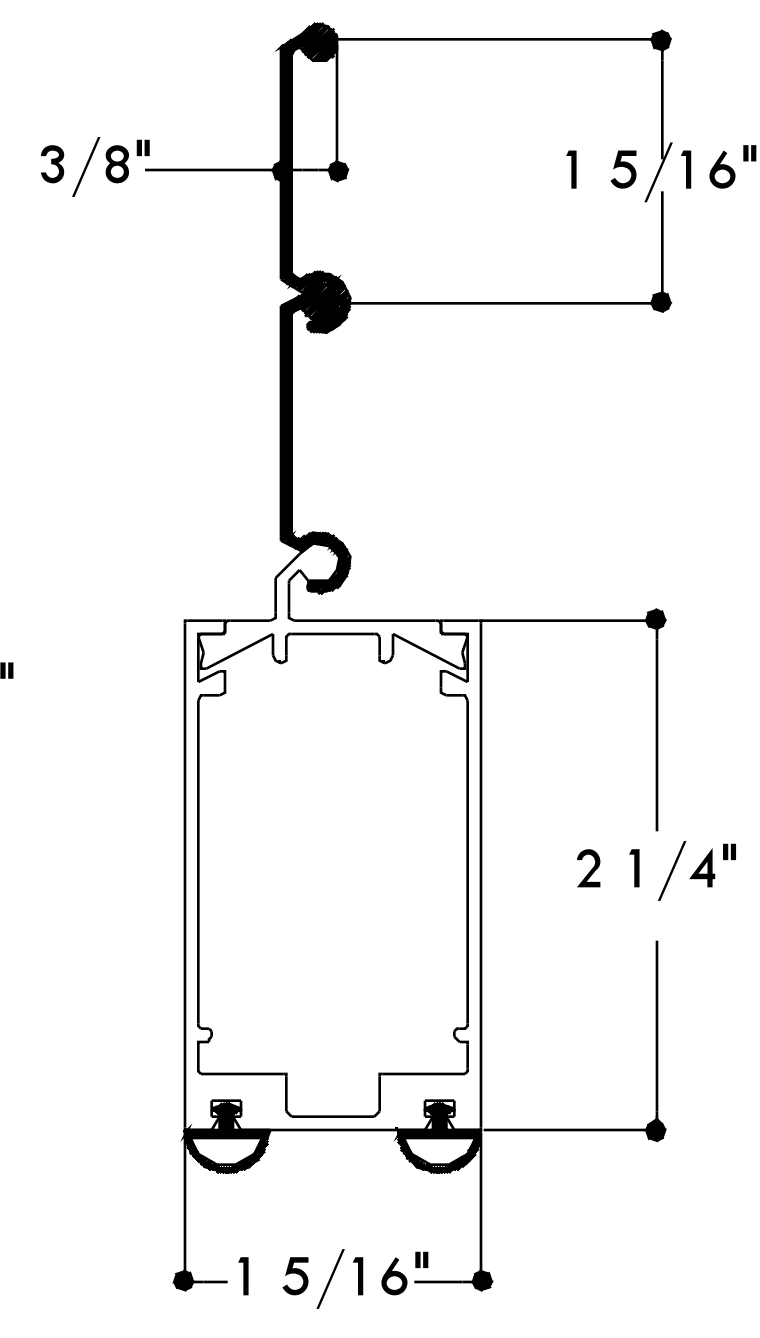
OPTION 1
GUIDE DETAIL
MAT'L: _____
FINISH: _____



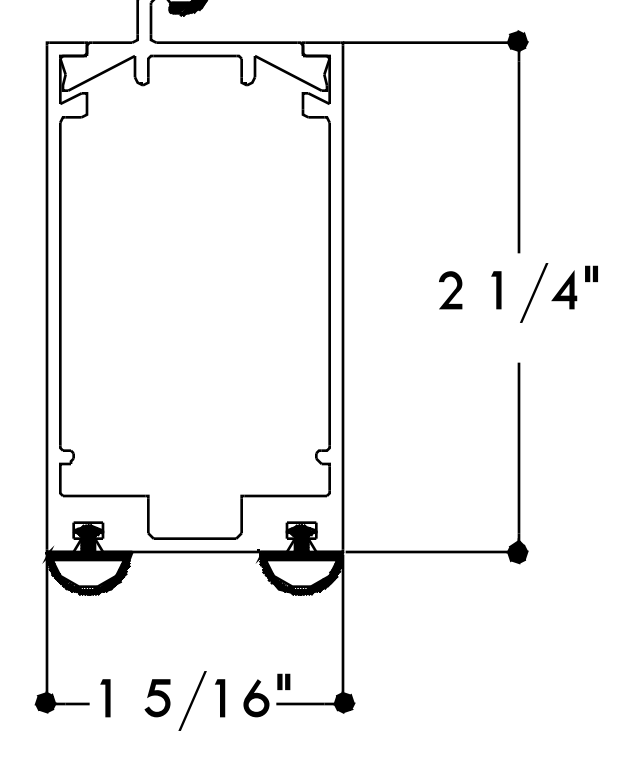
OPTION 2
GUIDE DETAIL
MAT'L: _____
FINISH: _____



SLAT DETAIL:
MAT'L: _____
FINISH: _____



BOTTOM BAR DETAIL
MAT'L: _____
FINISH: _____



JOB: _____
 CONTRACTOR: _____
 ARCHITECT: _____
 DISTRIBUTOR: _____
 DRAWING NO. _____ # OF _____

VERIFIED BY: _____ ON _____

MAKE	HAND	ARCH. MARK	BEST DOOR
MAKE1			
MAKE2			
MAKE3			
MAKE4			
OPMK1			
OPMK2			
OPMK3			
OPMK4			
3			
2			
1			
NO.			

NOTES:

1. THIS DRAWING COVERS GENERAL CONDITIONS, DIMS, AND SPECIFICATIONS ONLY. DO NOT USE FOR INSTALLATION PURPOSES, INSTALLATION INSTRUCTIONS AND DIMENSIONS ARE INCLUDED WITH SHIPMENT.
2. CONSULT FACTORY FOR WIND LOAD CALCULATION

DIMENSIONS AND CLEARANCES AS NOTED BY ASTERISK (*) MUST BE FIELD CHECKED.

COUNTER FIRE DOOR

CRANK OPERATED

BETWEEN JAMB