

# Best Fire-Shutter FS-45

Traditionally Designed

Counter Rolling Fire Shutters

Fire Rated Counter Shutter; U.L. Classified to 3 Hours of Protection Rolling Shutters

Ideal for All Pass-Thru Openings Such as Service Counters, Concession Stands Cafeteria Counters.

Shutter Coils Upward Requiring Little Side or Head Room.

Built in Accordance with Requirements Specified by Underwriters Laboratories Inc.

Miami-Dade County High Hurricane Wind Zone approved available.

Large missile impact tested on both sides.

3 Hour Approved for rolling fire shutters and roll-up fire Doors.

Best Rolling Shutters are engineered and constructed to combine fire protection and security. Practically designed for small pass-thru openings such as service counters, windows, concession stands and cafeteria counters. The interlocking galvanized steel, stainless steel, or prime painted slats maintains the aesthetic harmony of any building decor. Most important, Best Rolling Doors counter shutters provide excellent protection against fire, theft and unauthorized entry.



OVERVIEW

DRAWING DETAILS

WRITE YOUR SPEC

CATALOG CUT SHEET

RELEASE DEVICES

PHOTO GALLERY

OPERATOR

CAD FILES

## Powder Coating

Our large selection of colors make our doors decorative and durable.

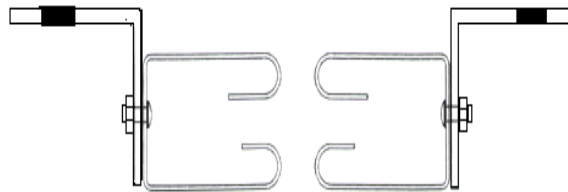
**Standard Colors**

[View](#) | [Download](#)

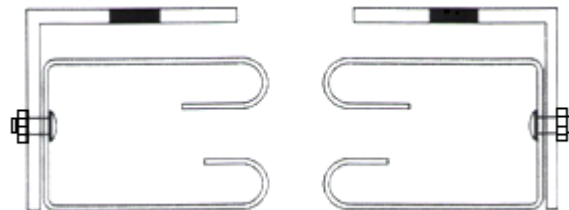
**Special Effects**

[View](#) | [Download](#)

## Z GUIDE ROLL-FORM



## E GUIDE ROLL-FORD



Best Fire Shutters curtains are available in either 1 1/4" flat or 2 1/2" flat interlocking slats. Shutters can be manually or motor operated. Operators can be adapted to specific conditions. Locking units can be provided depending on the type of shutter operation. To see our line of [rolling fire doors click here](#).

**APPLICATION USE**

Fire Protection, Counter Fire, Counter Shutter, Office Window's, Healthcare Facilities, Cafeteria's.

**BOTTOM BARS**

Galvanized, Stainless Steel, Galvanized Steel, Powder Coated, Strip Seal, Pneumatic Edge, Electric Edge, Wireless Edge, Double Angle, Tubular, Slide Lock.

**BRACKET PLATES**

Hot Rolled A36, Stainless Steel, Galvanized, Powder Coated, Viscous Governor, Oscillating Governor, Fire Drop Charge, Charge Wheel, Motor Prep., Chain Gearing, Thru-Wall Drop Plate, Round Bracket, Square Bracket, Single Gear Reducer.

**COUNTERBALANCE ASSEMBLY**

Hot Rolled A36, Galvanized, Stainless Steel, Torsion Spring, Kicker, Cycle 17.5 to 400M, Welded Tabs, Taped Holes, Lock Shaft Collar, Keyed, Bolted.

**CURTAIN OPTIONS**

Galvanized Steel, Stainless Steel, Prime Painted Galvanized, Powder Coated, Stamped End-lock and wind-lock Option.

**GUIDE MATERIAL**

Galvanized Steel, Stainless Steel, Powder Coated, "F" Shutter Guide, Galvanized Roll-Formed, Electric Interlock, Tube Mounting.

**HOOD/COVER**

Galvanized, Stainless Steel, Prime Painted, Powder Coated, Flame Baffle, Lintel Seal, Smoke Lintel Seal, Tension Cover, Operator Cover, Back

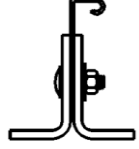
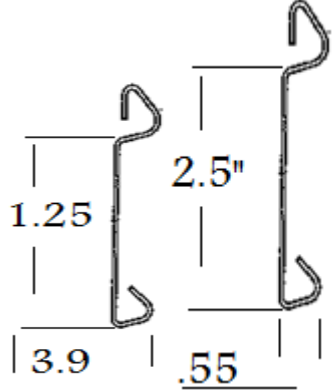
**E GUIDE STRUCTURAL**



**E GUIDE STRUCTURAL**



**1 1/4" Flat or 2 1/2" Curved Slat**



**Roll Formed Double Angle Bottom Bar**

Fascia, Round, Square, Side End Cap, Motor  
Cove R.

### **MATERIAL THICKNESS**

22 Gauge, 20 Gauge.

### **OPERATION OF DOOR**

Push-up, Motor, Hand Crank, Best-chain lift.

The Fire-Shut rolling fire shutters make windows safer. For non fire doors see our rolling shutters. [Click here for our line of rolling fire doors.](#)

[\*\*Click Here for UL Labeled Control\*\*](#)

[\*\*Contact us today to find out which Best solution is right for you!\*\*](#)

---