



**MIAMI-DADE COUNTY**  
**BUILDING CODE COMPLIANCE OFFICE (BCCO)**  
**PRODUCT CONTROL DIVISION**

MIAMI-DADE COUNTY, FLORIDA  
 METRO-DADE FLAGLER BUILDING  
 140 WEST FLAGLER STREET, SUITE 1603  
 MIAMI, FLORIDA 33130-1563  
 (305) 375-2901 FAX (305) 372-6339

**NOTICE OF ACCEPTANCE (NOA)**

[www.miamidade.gov/buildingcode](http://www.miamidade.gov/buildingcode)

**Best Rolling Doors, Inc.**  
 9780 NW 79<sup>th</sup> Avenue  
 Hialeah Gardens, FL 33016

**SCOPE:**

This NOA is being issued under the applicable rules and regulations governing the use of construction materials. The documentation submitted has been reviewed by Miami-Dade County Product Control Division and accepted by the Board of Rules and Appeals (BORA) to be used in Miami Dade County and other areas where allowed by the Authority Having Jurisdiction (AHJ).

This NOA shall not be valid after the expiration date stated below. The Miami-Dade County Product Control Division (In Miami Dade County) and/or the AHJ (in areas other than Miami Dade County) reserve the right to have this product or material tested for quality assurance purposes. If this product or material fails to perform in the accepted manner, the manufacturer will incur the expense of such testing and the AHJ may immediately revoke, modify, or suspend the use of such product or material within their jurisdiction. BORA reserves the right to revoke this acceptance, if it is determined by Miami-Dade County Product Control Division that this product or material fails to meet the requirements of the applicable building code.

This product is approved as described herein, and has been designed to comply with the Florida Building Code, including the High Velocity Hurricane Zone.

**DESCRIPTION: Model S10-6565 Steel Roll-up Door**

**APPROVAL DOCUMENT:** Drawing No. **6565\_2009\_02**, titled "Model S10-6565", sheets 1 through 3 of 3, dated 04/06/09, prepared by Best Rolling Door, Inc, signed and sealed by Joseph H. Dixon, Jr., P.E., bearing the Miami-Dade County Product Control approval stamp with the Notice of Acceptance number and approval date by the Miami-Dade County Product Control Division.

**MISSILE IMPACT RATING: Large and Small Missile Impact Resistant**

**LABELING:** Each unit shall bear a permanent label with the manufacturer's name or logo, city, state and following statement: "Miami-Dade County Product Control Approved", unless otherwise noted herein.

**RENEWAL** of this NOA shall be considered after a renewal application has been filed and there has been no change in the applicable building code negatively affecting the performance of this product.

**TERMINATION** of this NOA will occur after the expiration date or if there has been a revision or change in the materials, use, and/or manufacture of the product or process. Misuse of this NOA as an endorsement of any product, for sales, advertising or any other purposes shall automatically terminate this NOA. Failure to comply with any section of this NOA shall be cause for termination and removal of NOA.

**ADVERTISEMENT:** The NOA number preceded by the words Miami-Dade County, Florida, and followed by the expiration date may be displayed in advertising literature. If any portion of the NOA is displayed, then it shall be done in its entirety.

**INSPECTION:** A copy of this entire NOA shall be provided to the user by the manufacturer or its distributors and shall be available for inspection at the job site at the request of the Building Official. This NOA consists of this page 1 and evidence page E-1, as well as approval document mentioned above. The submitted documentation was reviewed by **Carlos M. Utrera, P.E.**



*[Handwritten Signature]*  
 1/7/10

NOA No. 09-1103.05  
 Expiration Date: January 27, 2015  
 Approval Date: January 27, 2010  
 Page 1

**NOTICE OF ACCEPTANCE: EVIDENCE SUBMITTED**

**A. DRAWINGS**

1. Drawing No. **6565\_2009\_02**, titled "Model S10-6565", sheets 1 through 3 of 3, dated 04/06/09, prepared by Best Rolling Door, Inc, signed and sealed by Joseph H. Dixon, Jr., P.E.

**B. TESTS**

1. Test reports on 1) Uniform Static Air Pressure Test, Loading per FBC, TAS 202-94  
2) Large Missile Impact Test per FBC, TAS 201-94  
3) Cyclic Wind Pressure Loading per FBC, TAS 203-94  
4) Tensile Test per ASTM A370-05,

Along with marked-up drawings and installation diagram of Model S10-6565 Steel Garage Doors, prepared by Fenestration Testing Laboratory, Inc., Test Report No. **FTL # 5589**, dated 01/13/09, signed and sealed by Michael R. Wenzel, P.E.

**C. CALCULATIONS**

1. Calculations for attachment of "C" channel guide to steel or concrete jamb, dated 07/23/09, prepared, signed and sealed by Joseph H. Dixon, Jr., P.E.

**D. QUALITY ASSURANCE**

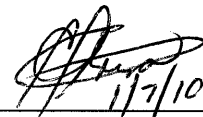
1. Miami Dade Building Code Compliance Office (BCCO)

**E. MATERIAL CERTIFICATIONS**

1. Notice of Acceptance No. **07-1107.08**, issued to Dyplast Products, LLC, for their Expanded Polystyrene Block Type Insulation, approved on 02/28/08 and expiring on 01/11/12.

**F. STATEMENTS**

1. Statement letter of code conformance, dated 10/16/09, signed and sealed by Joseph H. Dixon, Jr., P.E.
2. Statement letter of no financial interest, dated 10/16/09, signed and sealed by Joseph H. Dixon, Jr., P.E.



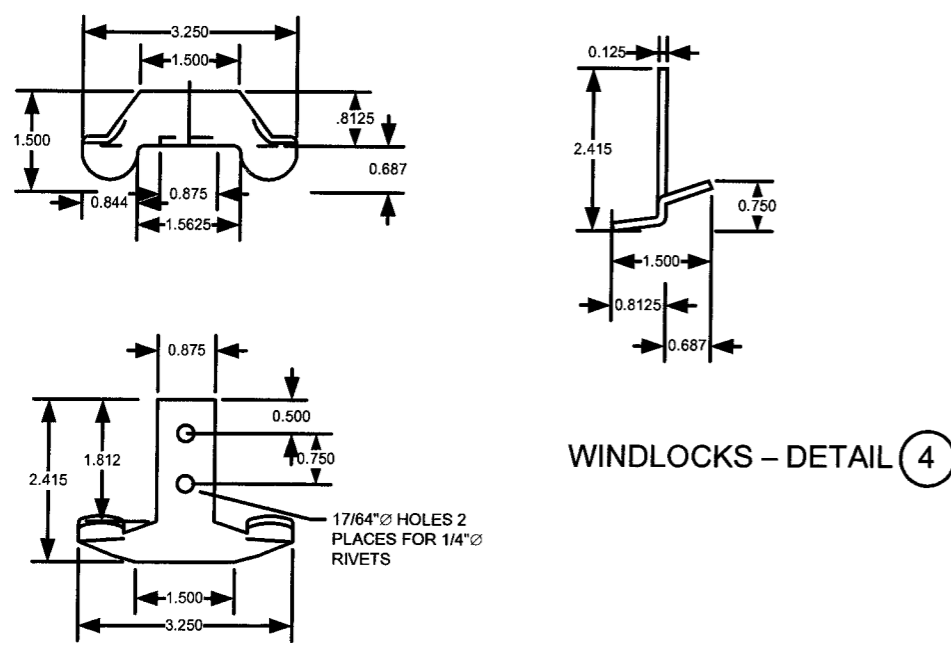
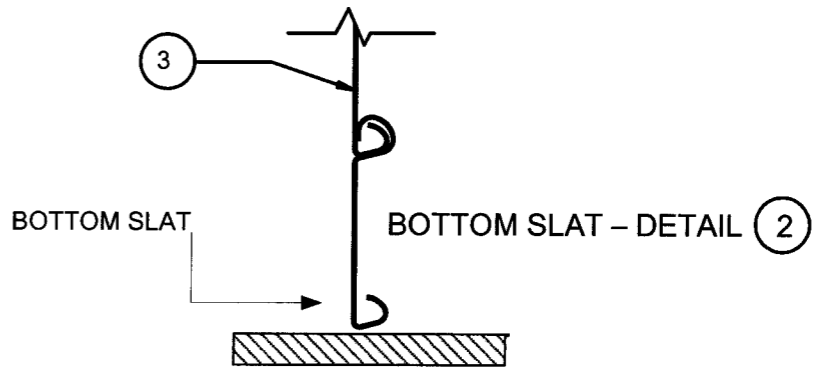
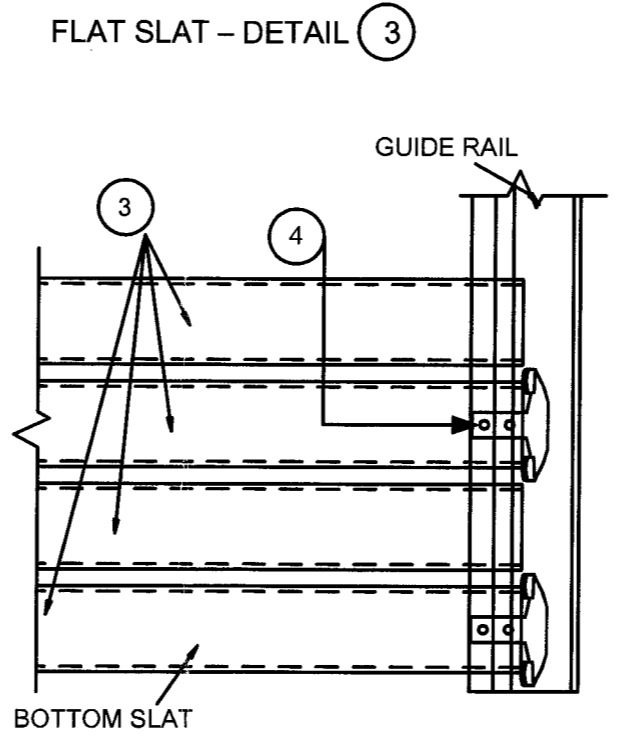
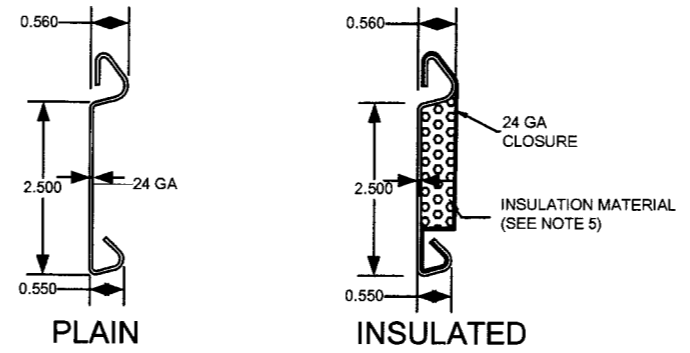
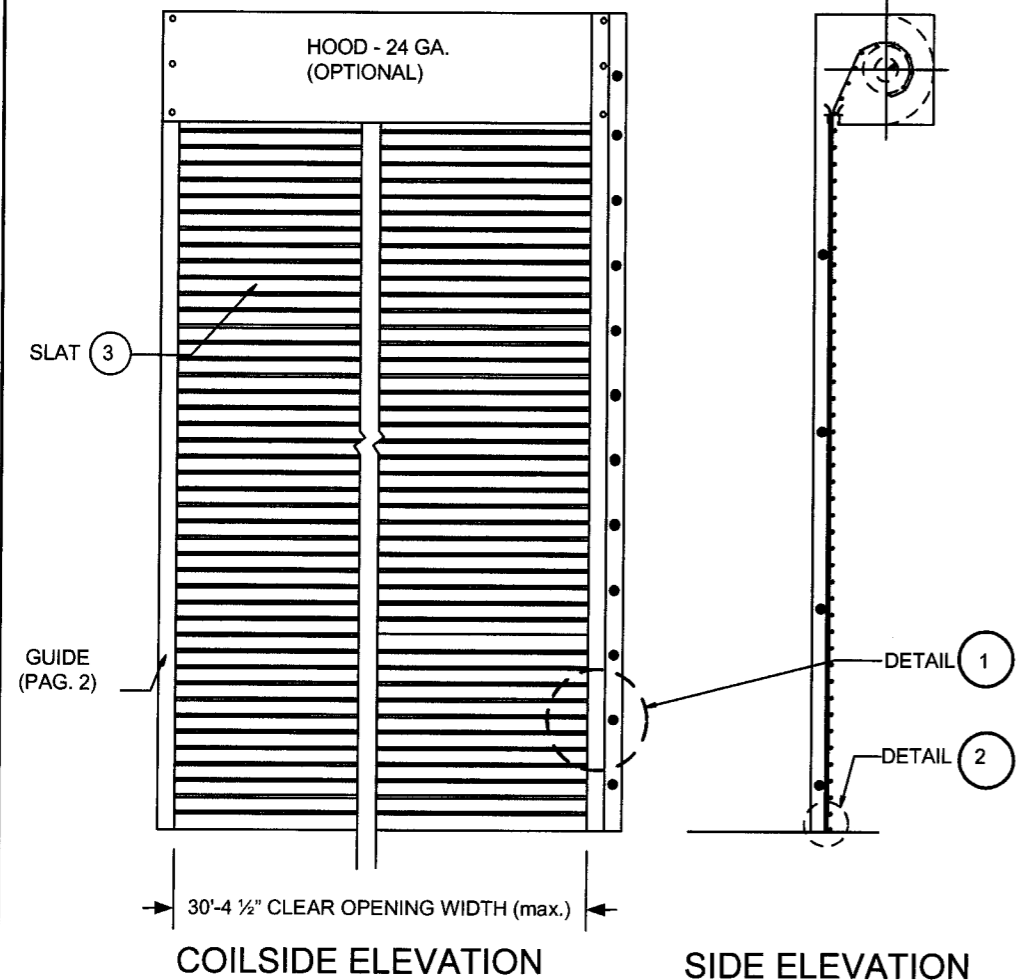
Carlos M. Utrera, P.E.

Product Control Examiner

NOA No. 09-1103.05

Expiration Date: January 27, 2015

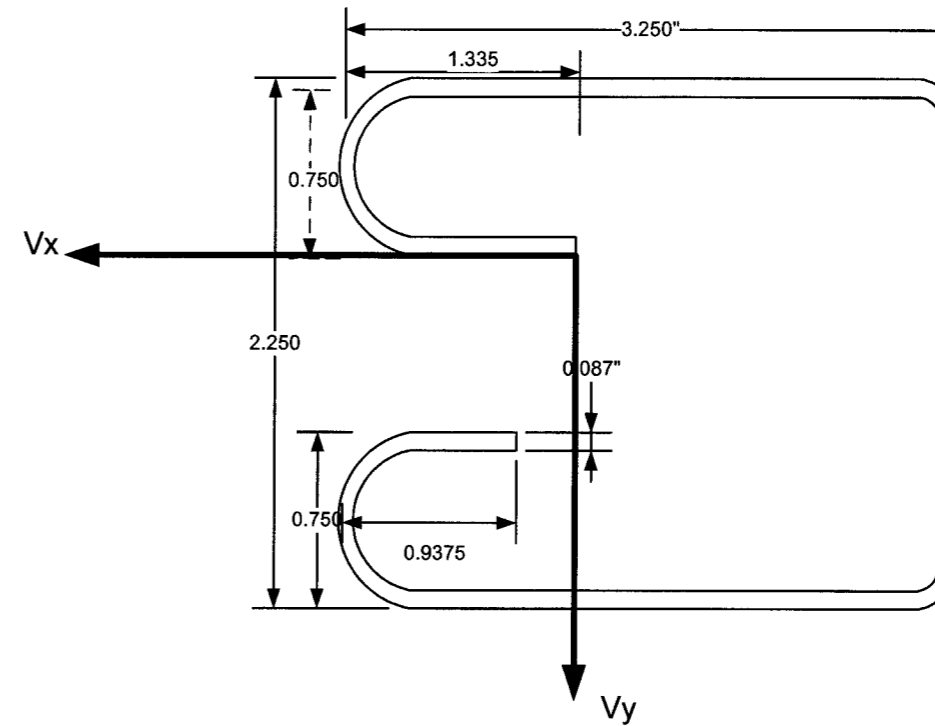
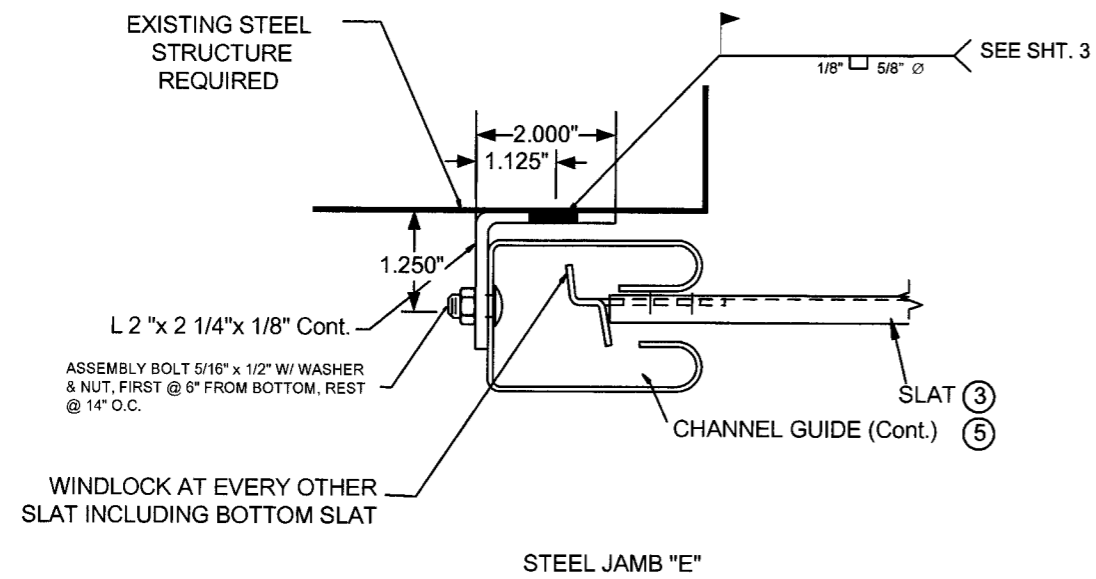
Approval Date: January 27, 2010



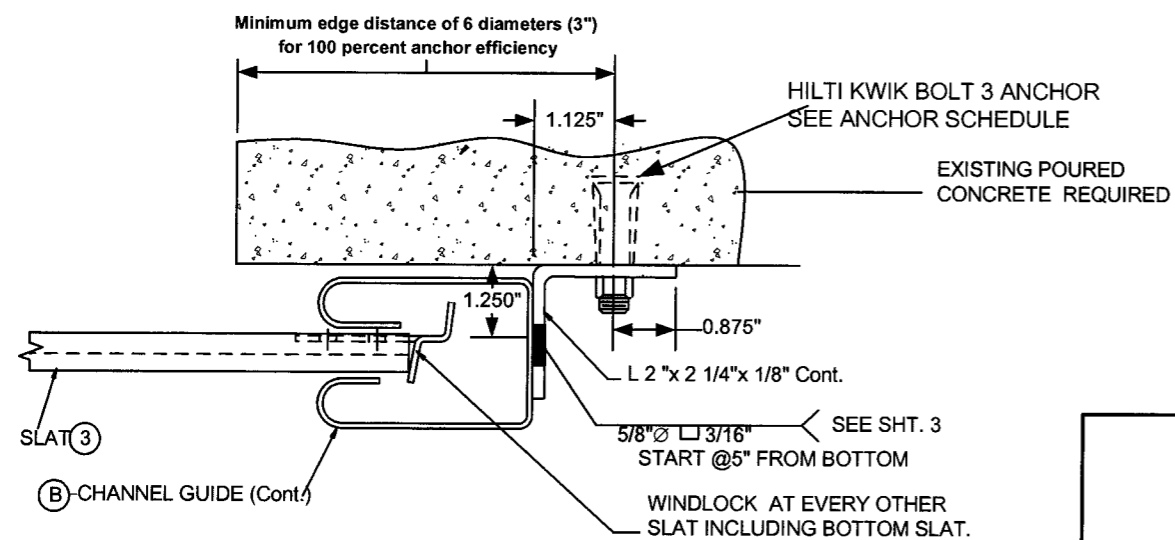
**GENERAL NOTES:**

- 1- THE ROLL-UP DOOR SHOWN ON THIS PRODUCT APPROVAL DOCUMENT HAS BEEN DESIGNED IN ACCORDANCE WITH THE 2007 EDITION OF THE FLORIDA BUILDING CODE. REQUIRED DESIGN WIND LOADS SHALL BE DETERMINED AS PER SECTION 1620 & 1609 OF THE FBC, FOR A BASIC WIND SPEED OF 146 M.P.H.
- THE ROLL-UP DOOR'S ADEQUACY FOR WIND PRESSURE, IMPACT AND FATIGUE RESISTANCE HAS BEEN VERIFIED IN ACCORDANCE WITH THE 2007 TEST PROTOCOLS FOR HIGH VELOCITY HURRICANE ZONES, TAS-201, TAS-202 & TAS-203.
- DESIGN PRESSURE RATING: +65.0, -65.0 PSF**
- 2- SLAT TO BE A.S.T.M. A-653 GR 50 STRUCTURAL QUALITY STEEL WITH MIN. FY = 50 KSI AND G-90 GALVANIZING PER A.S.T.M. A-653, OR A.I.S.I. 304 SERIES STAINLESS STEEL MANUFACTURED WITH A MINIMUM YIELD STRENGTH OF FY = 50 KSI.
- 3- WINDLOCKS 11 GA PLATED STEEL. ASTM A-1011
- 4- ALL RIVETS TO BE A.I.S.I. 1035 STEEL, CADMIUM PLATED, STAINLESS STEEL OR ZINC PLATED W/ FY= 37,000 PSI.
- 5- INSULATION MATERIAL SHALL BE EPS-EXPANDED POLYSTYRENE INSULATION MANUFACTURED BY DYPLAST PRODUCTS LLC COMPANY, DADE COUNTY NOTICE OF ACCEPTANCE # 07-1107.08.
- 6- DOOR MAY BE INSTALLED ON THE INSIDE OR OUTSIDE OF AN EXTERIOR WALL. DOOR IMPACTED ON BOTH SIDE.
- 7- GUIDE DETAILS CAN BE USED IN ANY COMBINATION.
- 8- COLD FORMED STEEL GUIDE TO HAVE MINIMUM YIELD STRENGTH OF 43 KSI.
- 9- CONTRACTOR TO BE RESPONSIBLE FOR THE SELECTION, PURCHASE AND INSTALLATION OF THIS PRODUCT BASED ON THIS PRODUCT APPROVAL DOCUMENT. THE CONTRACTOR SHALL ENSURE THAT THE WALL CAN SUPPORT THE JAMB FORCES INDICATE ON THIS DOCUMENT. CONSTRUCTION SAFETY AT SITE IS THE CONTRACTOR'S RESPONSIBILITY.

<p>Approved as complying with the Florida Building Code  Date 01/27/2010  NOA# 07-1103.05  Miami Dade Product Control Division  By <i>[Signature]</i></p>	<p><i>[Signature]</i> 10/16/09</p>	<p>DADE COUNTY APPROVAL 2007 Florida Building Code</p>	<p>ENG. NAME: JOSEPH H. DIXON JR. P.E. FL 7768</p>	
		<p>ROLLING STEEL DOOR 30'-4 1/2" (+65/-65 PSF)</p>	<p><b>Model S10-6565</b></p>	
<p><b>BEST ROLLING DOOR, MFG</b></p> <p>9780 N.W. 79th AVENUE HIALEAH GARDENS, FLORIDA 33016 PH: 305-698-3550 FAX: 305-698-3552 www.bestdoor.us</p>		<p>DRAWN BY B.D.</p> <p>DATE 04/06/09</p>	<p>DRAWN No 6565_2009_02</p> <p>SHEET 1 OF 3</p>	



CHANNEL GUIDE - DETAIL ⑤



MASONRY JAMB "Z"

<p>Approved as complying with the Florida Building Code  Date 01/27/2010  NOA# 09-1103-05  Miami Date Product Control Division  By <i>[Signature]</i></p>	<p><i>[Signature]</i>  10/16/09</p>	<p>DADE COUNTY APPROVAL  2007 Florida Building Code</p>	<p>ENG. NAME: JOSEPH H. DIXON JR. P.E.  FL 7768</p>	
		<p>ROLLING STEEL DOOR  30'-4 1/2" (+65/-65 PSF)</p>	<p>Model S10-6565</p>	
<p><b>BEST ROLLING DOOR, MFG</b></p> <p>9780 N.W. 79th AVENUE  HIALEAH GARDENS, FLORIDA 33016  PH: 305-698-3550 FAX: 305-698-3552  www.bestdoor.us</p>		<p>DRAWN BY  B.D.</p> <p>DATE  04/06/09</p>	<p>DRAWN No  6565_2009_02</p> <p>SHEET 2 OF 3</p>	

**SUMMARY OF ANCHORAGE CALCULATIONS**

	Best Rolling Doors				
	24 gage slat, 0.0239"				
	Design Wind Load +/- 65 psf				
	12'-0" wide	16'-0" wide	20'-0" wide	25'-0" wide	30'-4 1/2" wide
<b>Slip</b>	0.500 in	1.00 in	1.50 in	1.50 in	1.50 in
<b>Catenary Force</b>					
Positive Wind, P1pf	1693 plf	2002 plf	2374 plf	3367 plf	4525 plf
Negative Wind, P1nf	1693 plf	2002 plf	2374 plf	3367 plf	4525 plf
<b>Vx and Vy Forces</b>					
Positive Wind, Vx	1659 plf	1943 plf	2290 plf	3271 plf	4418 plf
Negative Wind, Vx	1659 plf	1943 plf	2290 plf	3271 plf	4418 plf
Positive Wind, Vy	393 plf	523 plf	653 plf	815 plf	990 plf
Negative Wind, Vy	393 plf	523 plf	653 plf	815 plf	990 plf
<b>C-Guide, welded</b>					
Electrode type	E70xx	E70xx	E70xx	E70xx	E70xx
<b>A. Weld, guide to wall angle, Outstanding leg only</b>					
Hole diameter	5/8"	5/8"	5/8"	5/8"	5/8"
Weld type	Plug	plug	plug	plug	plug
Weld thickness	1/8"	1/8"	1/8"	1/8"	1/8"
Spacing	14" o.c.	14" o.c.	14" o.c.	13" o.c.	10" o.c.
<b>B. Weld, wall angle to jamb</b>					
Hole diameter	5/8"	5/8"	5/8"	5/8"	5/8"
Weld type	Plug	plug	plug	plug	plug
Weld thickness	1/8"	1/8"	1/8"	1/8"	1/8"
Spacing	14" o.c.	14" o.c.	13" o.c.	9" o.c.	7" o.c.
<b>C-Guide, concrete anchors</b>					
Concrete strength, fc	4000 psi	4000 psi	4000 psi	4000 psi	4000 psi
<b>Positive Wind</b>					
anchor tension, F1ZCp	467 plf	547 plf	691 plf	920 plf	1243 plf
compression, F2ZCp	74 plf	24 plf	38 plf	105 plf	253 plf
shear, F3ZCp	1659 plf	1943 plf	2290 plf	3271 plf	4418 plf
<b>Negative Wind</b>					
anchor tension, F1ZCn	638 plf	747 plf	880 plf	1257 plf	1698 plf
compression, F2ZCn	1030 plf	1269 plf	1533 plf	2072 plf	2688 plf
shear, F3ZCn	1659 plf	1943 plf	2290 plf	3271 plf	4418 plf
Type anchor, Hilti	Kwik Bolt 3	Kwik Bolt 3	Kwik Bolt 3	Kwik Bolt 3	Kwik Bolt 3
Diameter	5/8"	5/8"	5/8"	5/8"	5/8"
Embedment	4"	4"	4"	4"	4"
Spacing	16"	16" o.c.	13 1/2" o.c.	9 1/2" o.c.	6 1/2" o.c.

**Vx and Vy FORCES FOR VARIOUS DESIGN WIND LOADS**  
24 gage slat (0.0239")

Design Wind Load (psf)	Opening Width	Design Slip (in.)	Vx (lb/ft)	Vy (lb/ft)
+50 / -50	12'-0"	1/2	1213	302
	16'-0"	1	1459	402
	20'-0"	1 1/2	1739	502
	25'-0"	1 1/2	2501	627
	30'-4 1/2"	1 1/2	3389	761
+55 / -55	12'-0"	1/2	1362	332
	16'-0"	1	1620	442
	20'-0"	1 1/2	1923	552
	25'-0"	1 1/2	2758	690
	30'-4 1/2"	1 1/2	3732	838
+60 / -60	12'-0"	1/2	1510	362
	16'-0"	1	1782	483
	20'-0"	1 1/2	2106	603
	25'-0"	1 1/2	3014	752
	30'-4 1/2"	1 1/2	4075	914
+65 / -65	12'-0"	1/2	1659	393
	16'-0"	1	1943	523
	20'-0"	1 1/2	2290	653
	25'-0"	1 1/2	3271	815
	30'-4 1/2"	1 1/2	4418	990

Approved as complying with the Florida Building Code  
Date 01/27/2010  
NOA# 09-1103.05  
Miami Dade Product Control Division  
By *[Signature]*

*[Signature]*  
10/16/09

DADE COUNTY APPROVAL  
2007 Florida Building Code

ROLLING STEEL DOOR  
30'-4 1/2" (+65/-65 PSF)

**BEST ROLLING DOOR, MFG**

9780 N.W. 79th AVENUE  
HIALEAH GARDENS, FLORIDA 33016  
PH: 305-698-3550 FAX: 305-698-3552  
www.bestdoor.us

ENG. NAME: JOSEPH H. DIXON JR. P.E.  
FL 7768

**Model S10-6565**

DRAWN BY  
B.D.

DATE  
04/06/09

DRAWN No  
6565\_2009\_02

SHEET 3 OF 3