



**MIAMI-DADE COUNTY**  
**BUILDING CODE COMPLIANCE OFFICE (BCCO)**  
**PRODUCT CONTROL DIVISION**

**MIAMI-DADE COUNTY, FLORIDA**  
**METRO-DADE FLAGLER BUILDING**  
**140 WEST FLAGLER STREET, SUITE 1603**  
**MIAMI, FLORIDA 33130-1563**  
**(305) 375-2901 FAX (305) 372-6339**

**NOTICE OF ACCEPTANCE (NOA)**

[www.miamidade.gov/buildingcode](http://www.miamidade.gov/buildingcode)

**Best Rolling Doors, Inc.**  
**9780 NW 79th Avenue**  
**Hialeah Gardens, FL 33016**

**SCOPE:** This NOA is being issued under the applicable rules and regulations governing the use of construction materials. The documentation submitted has been reviewed by Miami-Dade County Product Control Division and accepted by the Board of Rules and Appeals (BORA) to be used in Miami Dade County and other areas where allowed by the Authority Having Jurisdiction (AHJ).

This NOA shall not be valid after the expiration date stated below. The Miami-Dade County Product Control Division (In Miami Dade County) and/or the AHJ (in areas other than Miami Dade County) reserve the right to have this product or material tested for quality assurance purposes. If this product or material fails to perform in the accepted manner, the manufacturer will incur the expense of such testing and the AHJ may immediately revoke, modify, or suspend the use of such product or material within their jurisdiction. BORA reserves the right to revoke this acceptance, if it is determined by Miami-Dade County Product Control Division that this product or material fails to meet the requirements of the applicable building code. This product is approved as described herein, and has been designed to comply with the Florida Building Code, including the High Velocity Hurricane Zone.

**DESCRIPTION: Model S10-6065 24'-1½" Wide Steel Roll-up Door**

**APPROVAL DOCUMENT:** Drawing No. **6065\_2008\_01**, titled "Rolling Steel Door", dated 02/25/08, sheets 1 through 4 of 4, prepared by Joseph H. Dixon, Jr., P.E. Product Design Consultant, signed and sealed by Joseph H. Dixon, Jr., P.E., bearing the Miami-Dade County Product Control revision stamp with the Notice of Acceptance number and expiration date by the Miami-Dade County Product Control Division.

**MISSILE IMPACT RATING: Large and Small Missile Impact Resistant**

**LABELING:** Each unit shall bear a permanent label with the manufacturer's name or logo, city, state and following statement: "Miami-Dade County Product Control Approved", unless otherwise noted herein.

**RENEWAL** of this NOA shall be considered after a renewal application has been filed and there has been no change in the applicable building code negatively affecting the performance of this product.

**TERMINATION** of this NOA will occur after the expiration date or if there has been a revision or change in the materials, use, and/or manufacture of the product or process. Misuse of this NOA as an endorsement of any product, for sales, advertising or any other purposes shall automatically terminate this NOA. Failure to comply with any section of this NOA shall be cause for termination and removal of NOA.

**LIMITATION:** Roll-up mechanism is not part of this approval.

**ADVERTISEMENT:** The NOA number preceded by the words Miami-Dade County, Florida, and followed by the expiration date may be displayed in advertising literature. If any portion of the NOA is displayed, then it shall be done in its entirety.

**INSPECTION:** A copy of this entire NOA shall be provided to the user by the manufacturer or its distributors and shall be available for inspection at the job site at the request of the Building Official.

This NOA revises **NOA # 06-0808.09** and consists of this page 1 and evidence page E-1, as well as approval document mentioned above.

The submitted documentation was reviewed by **Carlos M. Utrera, P.E.**



*[Signature]*  
 2/5/09

**NOA No. 09-0105.06**  
**Expiration Date: November 20, 2013**  
**Approval Date: March 4, 2009**  
**Page 1**

**NOTICE OF ACCEPTANCE: EVIDENCE SUBMITTED**

**A. DRAWINGS**

1. Drawing No. **6065\_2008\_01**, titled "Rolling Steel Door", dated 02/25/08, sheets 1 through 4 of 4, prepared by Joseph H. Dixon, Jr., P.E., Product Design Consultant, signed and sealed by Joseph H. Dixon, Jr., P.E.

**B. TESTS**

1. Test report on Uniform Static Air Pressure per TAS 202, Large Missile Impact Test per TAS 201 and Cyclic Wind Pressure Test per TAS 203 of Series Roll up Door prepared by Fenestration Testing Laboratory, Inc. Report # **4845**, dated 04/21/2006, signed and sealed by Edmundo Largaespada, P.E.  
*"Submitted under NOA # 06-0808.09"*

**C. CALCULATIONS**

1. Calculations for attachment of angle guides to steel or concrete jamb, prepared by Joseph H. Dixon, Jr., P.E., Product Design Consultant, dated 03/01/08, signed and sealed by J. H. Dixon, Jr., P.E.
2. Calculations for attachment of C-channel guide to steel or concrete jamb, prepared by Joseph H. Dixon, Jr., P.E., Product Design Consultant, dated 03/01/08, signed and sealed by J. H. Dixon Jr., P.E.

**D. QUALITY ASSURANCE**

1. Miami Dade Building Code Compliance Office (BCCO).

**E. MATERIAL CERTIFICATIONS**

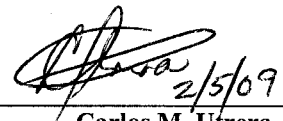
1. Test Report on Tensile Test prepared by Fenestration Testing Laboratory, Inc., dated 05/16/06, signed and sealed by Edmundo Largaespada, P.E.  
*"Submitted under NOA # 06-0808.09"*

**F. STATEMENTS**

1. Statement letter of code conformance issued by Joseph H. Dixon, Jr., P.E., Product Design Consultant, dated 11/15/08, signed and sealed by Joseph H. Dixon, Jr., P.E.
2. Statement letter of no financial interest issued by Joseph H. Dixon, Jr., P.E., Product Design Consultant, dated 11/15/08, signed and sealed by Joseph H. Dixon, Jr., P.E.

**G. OTHER**

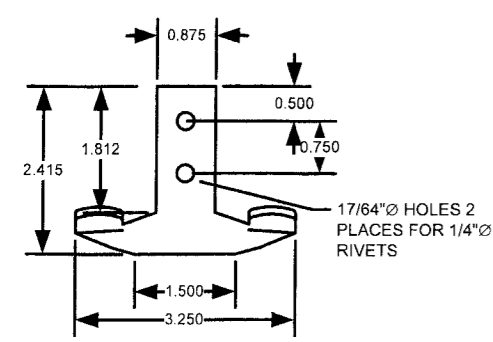
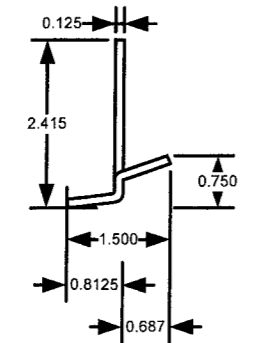
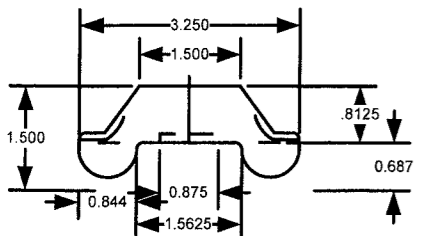
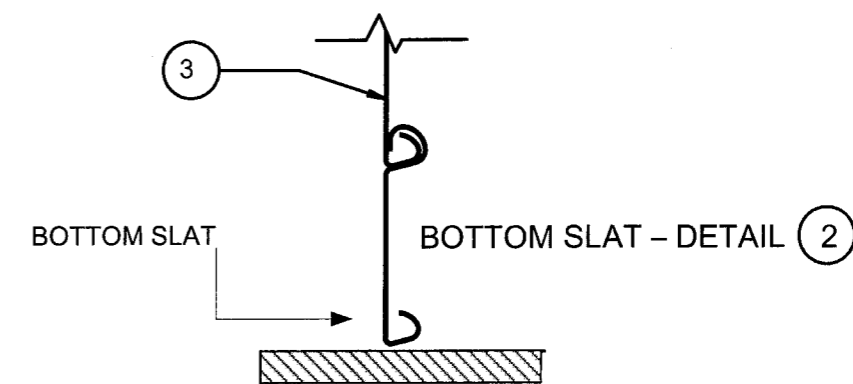
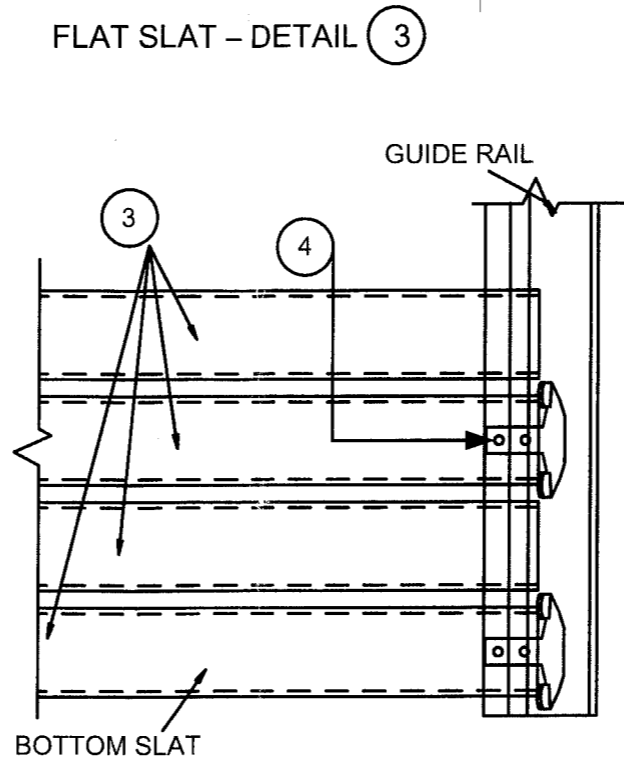
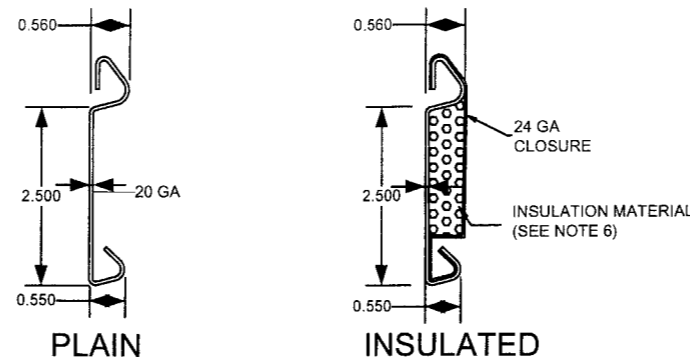
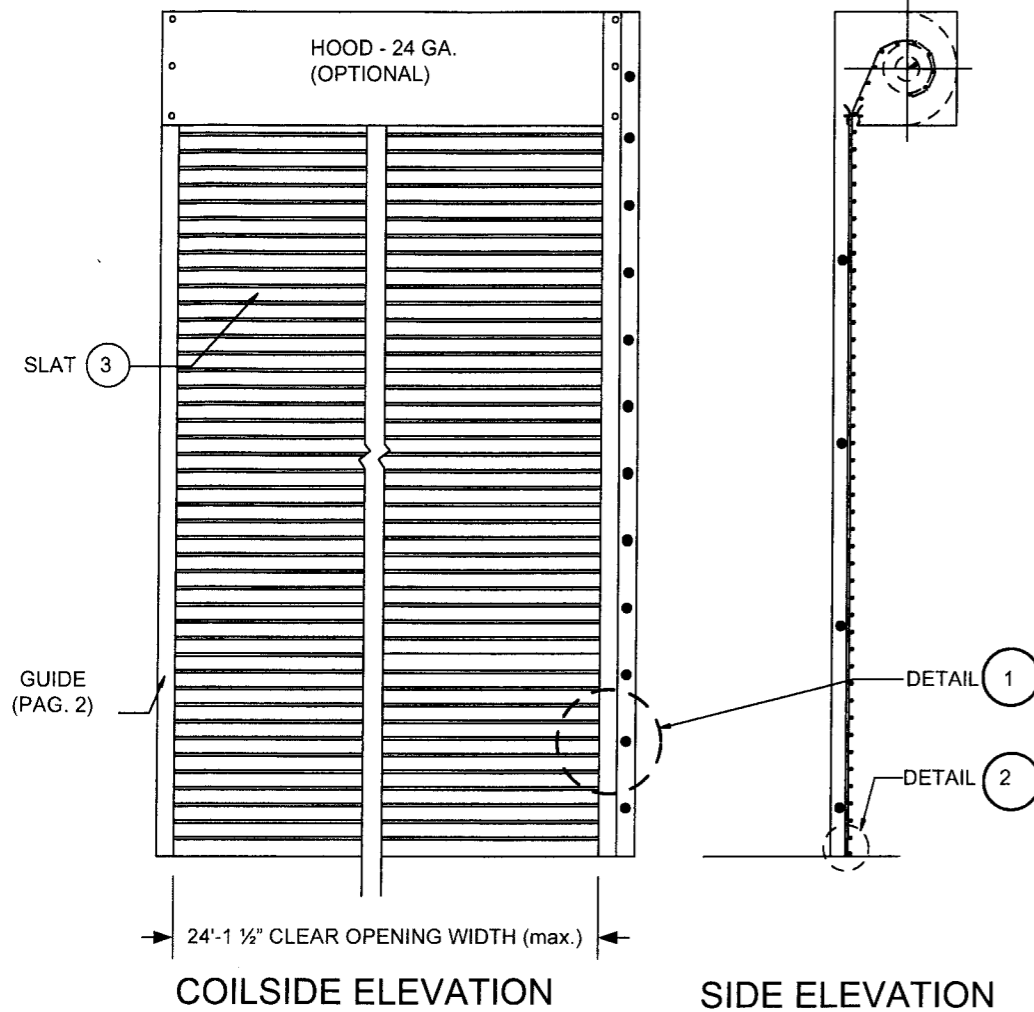
1. Notice of Acceptance No. **06-0808.09**, issued to Best Rolling Doors, Inc., for their 24'-1 1/2" Wide Steel Roll-up Door, approved on 11/20/08 and expiring on 11/20/13.



2/5/09

Carlos M. Utrera, P.E.  
Product Control Examiner  
NOA No. 09-0105.06

Expiration Date: November 20, 2013  
Approval Date: March 4, 2009



WINDLOCKS - DETAIL (4)

**GENERAL NOTES:**

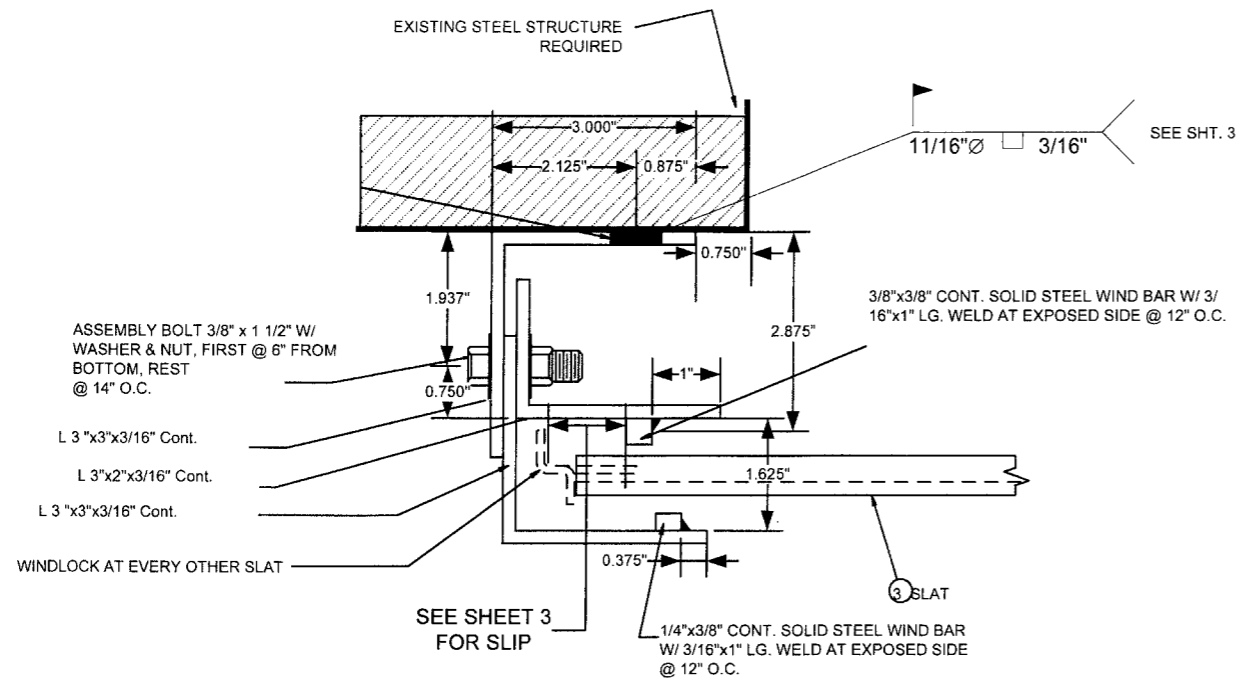
1- THE ROLL-UP DOOR SHOWN ON THIS PRODUCT APPROVAL DOCUMENT HAS BEEN DESIGNED IN ACCORDANCE WITH THE 2007 EDITION OF THE FLORIDA BUILDING CODE. REQUIRED DESIGN WIND LOADS SHALL BE DETERMINED AS PER SECTION 1620 & 1609 OF THE FBC, FOR A BASIC WIND SPEED OF 146 M.P.H.

THE ROLL-UP DOOR'S ADEQUACY FOR WIND PRESSURE, IMPACT AND FATIGUE RESISTANCE HAS BEEN VERIFIED IN ACCORDANCE WITH THE 2007 TEST PROTOCOLS FOR HIGH VELOCITY HURRICANE ZONES, TAS-201, TAS-202 & TAS-203.

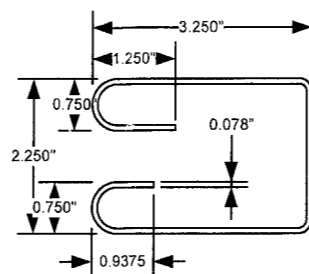
**DESIGN PRESSURE RATING: +60.0, -65.0 PSF**

- 2- SLAT TO BE A.S.T.M. A-653 GR 50 STRUCTURAL QUALITY STEEL WITH MIN. FY = 50 KSI AND G-90 GALVANIZING PER A.S.T.M. A-653, OR A.I.S.I. 304 SERIES STAINLESS STEEL MANUFACTURED WITH A MINIMUM YIELD STRENGTH OF FY = 50 KSI.
- 3- WINDLOCKS 11 GA PLATED STEEL. ASTM A-1011
- 4- ALL ASSEMBLY BOLTS TO BE S.A.E. GRADE 2 CADMIUM PLATED OR GALVANIZED STEEL.
- 5- ALL RIVETS TO BE A.I.S.I. 1035 STEEL, CADMIUM PLATED, STAINLESS STEEL OR ZINC PLATED W/ FY= 37,000 PSI.
- 6- INSULATION MATERIAL SHALL BE EPS-EXPANDED POLYSTYRENE INSULATION MANUFACTURED BY DYPLAST PRODUCTS LLC COMPANY, DADE COUNTY NOTICE OF ACCEPTANCE # 07-1107.08.
- 7- DOOR MAY BE INSTALLED ON THE INSIDE OR OUTSIDE OF AN EXTERIOR WALL. DOOR IMPACTED ON BOTH SIDE.
- 8- GUIDE DETAILS CAN BE USED IN ANY COMBINATION.
- 9- CONTRACTOR TO BE RESPONSIBLE FOR THE SELECTION, PURCHASE AND INSTALLATION OF THIS PRODUCT BASED ON THIS PRODUCT APPROVAL DOCUMENT. THE CONTRACTOR SHALL ENSURE THAT THE WALL CAN SUPPORT THE JAMB FORCES INDICATE ON THIS DOCUMENT. CONSTRUCTION SAFETY AT SITE IS THE CONTRACTOR'S RESPONSIBILITY.

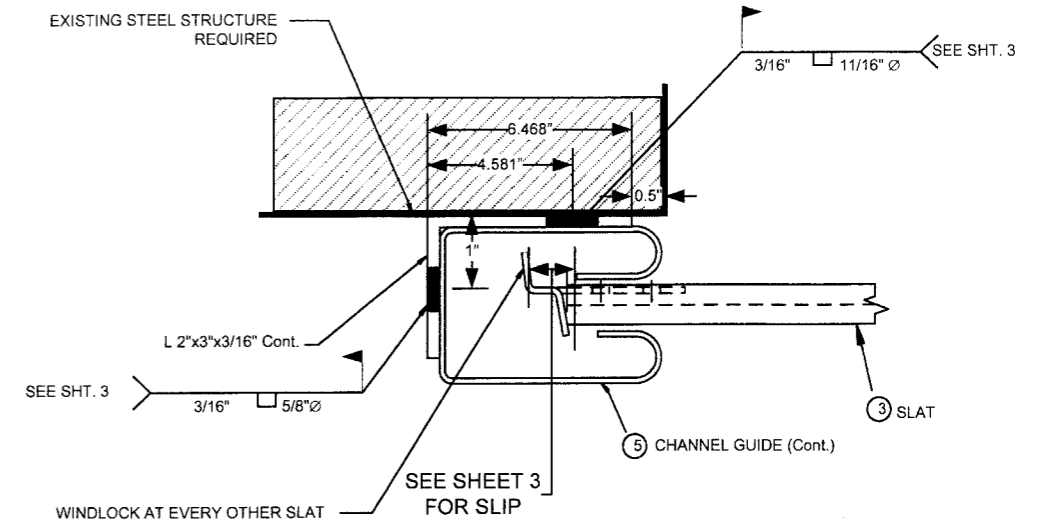
<p><b>PRODUCT REVISED</b>          as complying with the Florida Building Code          Acceptance No 09-0105.06          Expiration Date 11/20/2013          By [Signature]          Division</p>	<p>[Signature]          11/15/08</p>	<p>DADE COUNTY APPROVAL          2007 Florida Building Code</p>		<p>ENG. NAME: JOSEPH H. DIXON JR., P.E.          FL 7768</p>	
		<p>ROLLING STEEL DOOR          24'-1 1/2" (+60/-65 PSF)</p>		<p><b>Model S10-6065</b></p>	
<p><b>BEST ROLLING DOOR, MFG</b></p> <p>9780 N.W. 79th AVENUE          HIALEAH GARDENS, FLORIDA 33016          PH: 305-698-3550 FAX: 305-698-3552          www.bestdoor.us</p>		<p>DRAWN BY          B.D.</p> <p>DATE          02/25/08</p>	<p>DRAWN No          6065_2008_01</p> <p>SHEET 1 OF 4</p>		



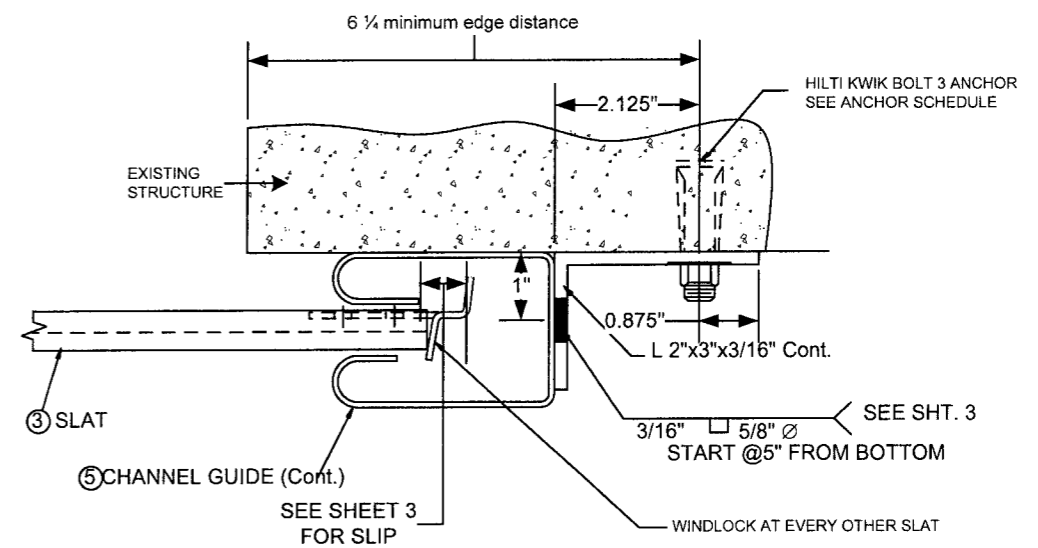
STEEL JAMB "E-S"



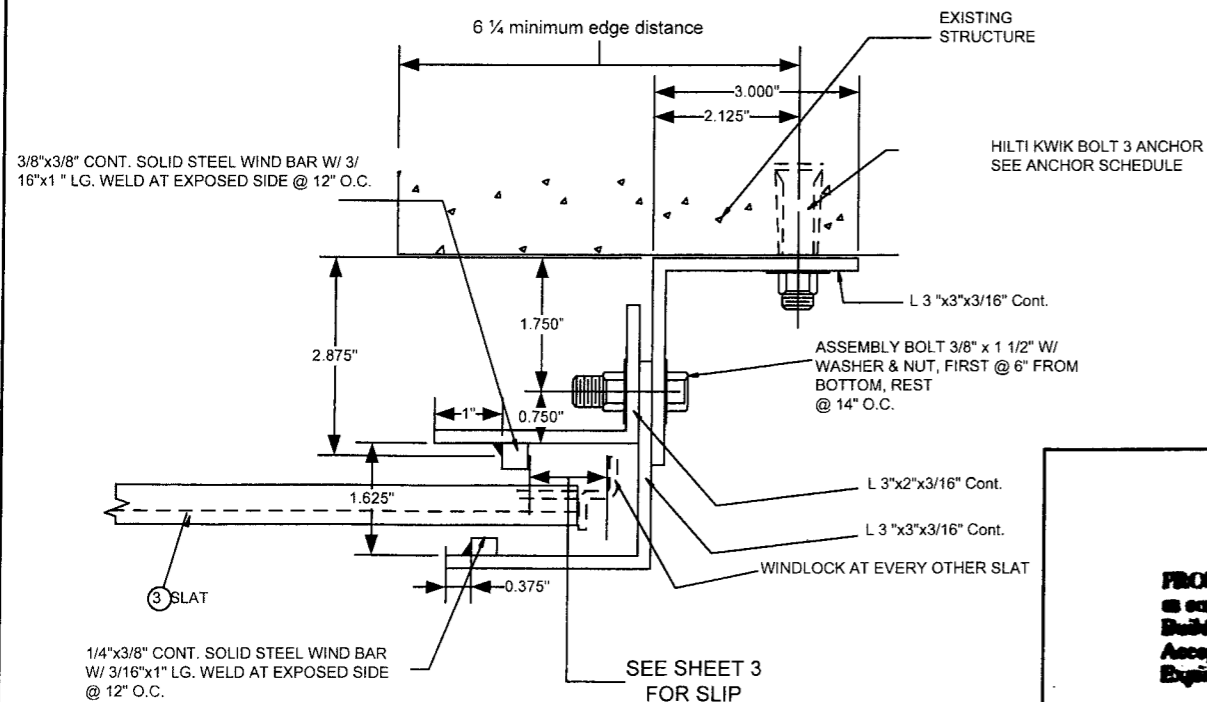
CHANNEL GUIDE - DETAIL 5  
Min. Yield Strength = 30,000 psi



STEEL JAMB "E-R"



CONCRETE JAMB "Z-R"



CONCRETE JAMB "Z-S"

**PRODUCT REVISED**  
to comply with the Florida  
Building Code  
Acceptance No 07-0105.06  
Expiration Date 11/20/2013  
By *[Signature]*  
Miami Dade Product Control  
Division

*[Signature]*  
11/15/08

DADE COUNTY APPROVAL  
2007 Florida Building Code

ROLLING STEEL DOOR  
24'-1 1/2" (+60/-65 PSF)

**BEST ROLLING DOOR, MFG**

9780 N.W. 79th AVENUE  
HIALEAH GARDENS, FLORIDA 33016  
PH: 305-698-3550 FAX: 305-698-3552  
www.bestdoor.us

ENG. NAME: JOSEPH H. DIXON JR. P.E.  
FL 7768

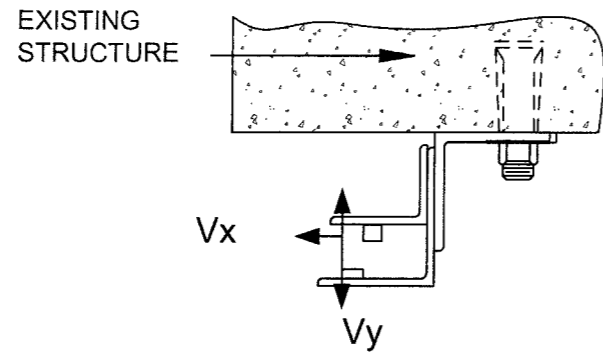
**Model S10-6065**

DRAWN BY  
B.D.

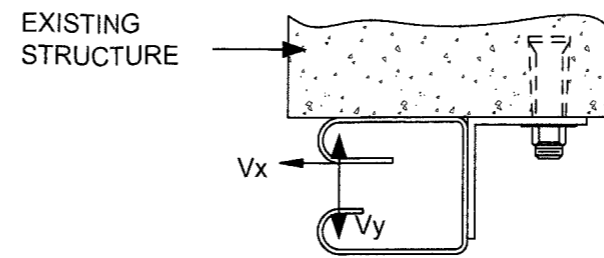
DATE  
02/25/08

DRAWN No  
6065\_2008\_01

SHEET 2 OF 4



LOAD DIAGRAM - MOUNTING 1



LOAD DIAGRAM - MOUNTING 2

DOOR OPENING WIDTH	SLIP each end in	ASSEMBLY BOLT	ANCHORS TO CONCRETE JAMB		FIELD WELD TO STEEL JAMB		
			Angle Guide	Channel Guide	Angle Guide	Channel Guide	
		Carriage Bolt	Hilti Kwik Bolt 3	Hilti Kwik Bolt 3	Plug Weld Wall Angle to Jamb	Plug Weld Wall Angle to Jamb	Plug Weld Channel to Wall Angle
			dia. x embedment x spacing	dia. x embedment x spacing			
24'-1-1/2"	1.00	1/2"-13 x 1-1/2" @ 14" o.c.	3/4" x 6-1/2" @ 4-3/4" o.c.	3/4" x 6-1/2" @ 10" o.c.	11/16" dia. x 3/16" @ 5-1/2" o.c.	11/16" dia. x 3/16" @ 14" o.c.	5/8" x 3/16" @ 4" o.c.
20'-0"	1.00	1/2"-13 x 1-1/2" @ 14" o.c.	3/4" x 6-1/2" @ 8" o.c.	3/4" x 6-1/2" @ 13" o.c.	11/16" dia. x 3/16" @ 7-1/2" o.c.	11/16" dia. x 3/16" @ 14" o.c.	5/8" x 3/16" @ 5" o.c.
16'-0"	1.00	1/2"-13 x 1-1/2" @ 14" o.c.	3/4" x 6-1/2" @ 13" o.c.	3/4" x 4-3/4" @ 14" o.c. or 5/8" x 4" @ 13" o.c.	11/16" dia. x 3/16" @ 11" o.c.	11/16" dia. x 3/16" @ 14" o.c.	5/8" x 3/16" @ 7" o.c.
14'-0"	1.00	1/2"-13 x 1-1/2" @ 14" o.c.	3/4" x 4-3/4" @ 14" o.c. or 5/8" x 5-1/2" @ 12" o.c.	3/4" x 3-1/4" @ 14" o.c. or 5/8" x 4" @ 14" o.c.	11/16" dia. x 3/16" @ 14" o.c.	11/16" dia. x 3/16" @ 14" o.c.	5/8" x 3/16" @ 8-1/2" o.c.
12'-0"	0.50	1/2"-13 x 1-1/2" @ 14" o.c.	3/4" x 3-1/4" @ 8-1/2" o.c. or 5/8" x 5-1/2" @ 11" o.c.	3/4" x 3-1/4" @ 14" o.c. or 5/8" x 5-1/2" @ 14" o.c.	1 1/16" dia. x 3/16" @ 13" o.c.	11/16" dia. x 3/16" @ 14" o.c.	5/8" x 3/16" @ 9" o.c.
10'-0"	0.50	1/2"-13 x 1-1/2" @ 14" o.c.	3/4" x 3-1/4" @ 14" o.c. or 5/8" x 5-1/2" @ 14" o.c.	3/4" x 3-1/4" @ 14" o.c. or 5/8" x 5-1/2" @ 14" o.c.	1 1/16" dia. x 3/16" @ 14" o.c.	11/16" dia. x 3/16" @ 14" o.c.	5/8" x 3/16" @ 13" o.c.

PRODUCT REVISED  
to comply with the Florida  
Building Code  
Acceptance No. 07-0105-06  
Expiration Date 11/20/2013  
By *[Signature]*  
Miami Dade Product Control  
Division

*[Signature]*  
11/15/08

DADE COUNTY APPROVAL  
2007 Florida Building Code

ROLLING STEEL DOOR  
24'-1 1/2" (+60/-65 PSF)

**BEST ROLLING DOOR, MFG**

9780 N.W. 79th AVENUE  
HIALEAH GARDENS, FLORIDA 33016  
PH: 305-698-3550 FAX: 305-698-3552  
www.bestdoor.us

ENG. NAME: JOSEPH H. DIXON JR. P.E.  
FL 7768

**Model S10-6065**

DRAWN BY  
B.D.

DATE  
02/25/08

DRAWN No  
6065\_2008\_01

SHEET 3 OF 4

DOOR OPENING WIDTH	SLIP each end in	Angles -- E-Guides						Angles -- Z-Guides					
		POSITIVE WIND			NEGATIVE WIND			POSITIVE WIND			NEGATIVE WIND		
		F1 plf	F2 plf	F3 plf	F1 plf	F2 plf	F3 plf	F1 plf	F2 plf	F3 plf	F1 plf	F2 plf	F3 plf
24' 1-1/2"	1.00	11609	10833	3486	16666	17453	3784	3819	3093	3486	7926	8713	3784
20'-0"	1.00	8584	7982	2574	12217	12870	2799	2737	2135	2574	5913	6566	2799
16'-0"	1.00	5814	5331	1738	8169	8691	1900	1755	1273	1738	4070	4593	1900
14'-0"	1.00	4456	4034	1329	6198	6655	1461	1276	853	1329	3171	3628	1461
12'-0"	0.50	4787	4424	1434	6869	7262	1582	1491	1129	1434	3359	3752	1582
10'-0"	0.50	2883	2581	858	4083	4411	971	787	484	858	2124	2452	971

DOOR OPENING WIDTH	SLIP each end in	C-Channel -- C-Guides						C-Channel -- Z-Guides					
		POSITIVE WIND			NEGATIVE WIND			POSITIVE WIND			NEGATIVE WIND		
		F1 plf	F2 plf	F3 plf	F1 plf	F2 plf	F3 plf	F1 plf	F2 plf	F3 plf	F1 plf	F2 plf	F3 plf
24' 1-1/2"	1.00	3478	2752	3486	7590	8377	3784	2042	1315	3486	1165	1952	3784
20'-0"	1.00	2599	1956	2574	5624	6276	2799	1952	1350	2574	862	1515	2799
16'-0"	1.00	1717	1235	1738	3828	4351	1900	1826	1344	1738	585	1108	1900
14'-0"	1.00	1306	883	1329	2952	3410	1461	1756	1333	1329	450	908	1461
12'-0"	0.50	1421	1059	1434	3182	3575	1582	1268	906	1434	487	990	1582
10'-0"	0.50	839	536	858	1966	2293	971	1333	1031	858	299	627	971

DOOR OPENING WIDTH	SLIP each end in	POSITIVE WIND			NEGATIVE WIND			C-Channel or Angle Guides			
		Pxp plf	Pyp plf	Ryp plf	Pxn plf	Pyn plf	Ryn plf	POSITIVE WIND		NEGATIVE WIND	
								Vx plf	Vy plf	Vx plf	Vy plf
24' 1-1/2"	1.00	3486	709	18	3784	769	18	3486	727	3784	787
20'-0"	1.00	2574	574	28	2799	625	28	2574	602	2799	653
16'-0"	1.00	1738	433	49	1900	474	49	1738	482	1900	523
14'-0"	1.00	1329	354	68	1461	389	68	1329	422	1461	457
12'-0"	0.50	1434	292	71	1582	322	71	1434	363	1582	393
10'-0"	0.50	858	191	111	971	216	111	858	302	971	327

Refer to Fenestration Testing Laboratory Lab No: 4845, reissued 10/24/06, for 20-gage steel slat door, 24' 1-1/2" wide, +60 / -65 psf  
Doors manufactured by Best Rolling Doors, Hialeah Gardens, Florida  
Calculations by Joseph H. Dixon, Jr. P.E. dated 11/16/07 except 10' & 12' wide dated 6/18/08

**PRODUCT REVISED**  
as complying with the Florida  
Building Code  
Acceptance No. 05-0105-06  
Expiration Date: 11/20/2013  
By: [Signature]  
Miami Dade Product Control  
Division

[Signature]  
11/15/08

DADE COUNTY APPROVAL  
2007 Florida Building Code

ROLLING STEEL DOOR  
24'-1 1/2" (+60/-65 PSF)

**BEST ROLLING DOOR, MFG**

9780 N.W. 79th AVENUE  
HIALEAH GARDENS, FLORIDA 33016  
PH: 305-698-3550 FAX: 305-698-3552  
www.bestdoor.us

ENG. NAME: JOSEPH H. DIXON JR. P.E.  
FL 7768

**Model S10-6065**

DRAWN BY  
B.D.  
DATE  
02/25/08

DRAWN No  
6065\_2008\_01  
SHEET 4 OF 4